

Dunlin LA-2601 Schematics Document

Intel Dothan / Alviso GM(PM) / DDR-2 / ICH6-M

(NV43/44M)

2005 / 03 / 14

Rev:1.0

Page Index

=====

P01-Cover Page
P02-Block Diagram
P03-Notes List
P04-Dothan(1/2)
P05-Dothan(2/2)
P06-Alviso HOST(1/5)
P07-Alviso DDR(2/5)
P08-Alviso PCI-E(3/5)
P09-Alviso POWER(4/5)
P10-Alviso POWER(5/5)
P11-DDRI-SODIMMO
P12-DDRI-SODIMM1
P13-DDR Decoupling
P14-Clock Generator
P15-CRT Conn.
P16-VGA / LCD Conn.
P17-ICH6(1/4)_HUB,PCI,HOST
P18-ICH6(2/4)_CPU,AC97,IDE,LPC
P19-ICH6(3/4)_USB,PM,LAN,GPIO
P20-ICH6(4/4)_POWER&GND
P21-HDD/CDROM
P22-DVI / TV_Out Conn
P23-PCMCIA ENE CB1410 & CB714
P24-PCMCIA SOCKET
P25-TI 1394A TSB43AB21A
P26-LAN BCM5788M
P27-LAN Magnetic & RJ45/RJ11
P28-Mimi-PCI Slot
P29-AC97 Codec_ALC250D
P30-Audio Line in Switch
P31-AMP & Audio Jack
P32-Super IO SMC217
P33-ENE-KB910
P34-MDC / BT / KBD / TP Conn.
P35-BIOS & I/O Port & SATA HDD
P36-RJ11/LID Switch / Fan / FIR
P37-USB2.0 Conn
P38-Docking Conn.
P39-PWR_OK / RTC
P40-DC INTERFACE
P41-Screws
P42-PWR-DCIN / Precharge
P43-PWR-Charger
P44-PWR-Battery Select
P45-PWR-3V/5V/12V
P46-PWR-GMCH_CORE/1.8V/0.9V
P47-PWR-1.5V/2.5V
P48-PWR-CPU_CORE
P49-PWR-OTP
P50-PWR-PIR

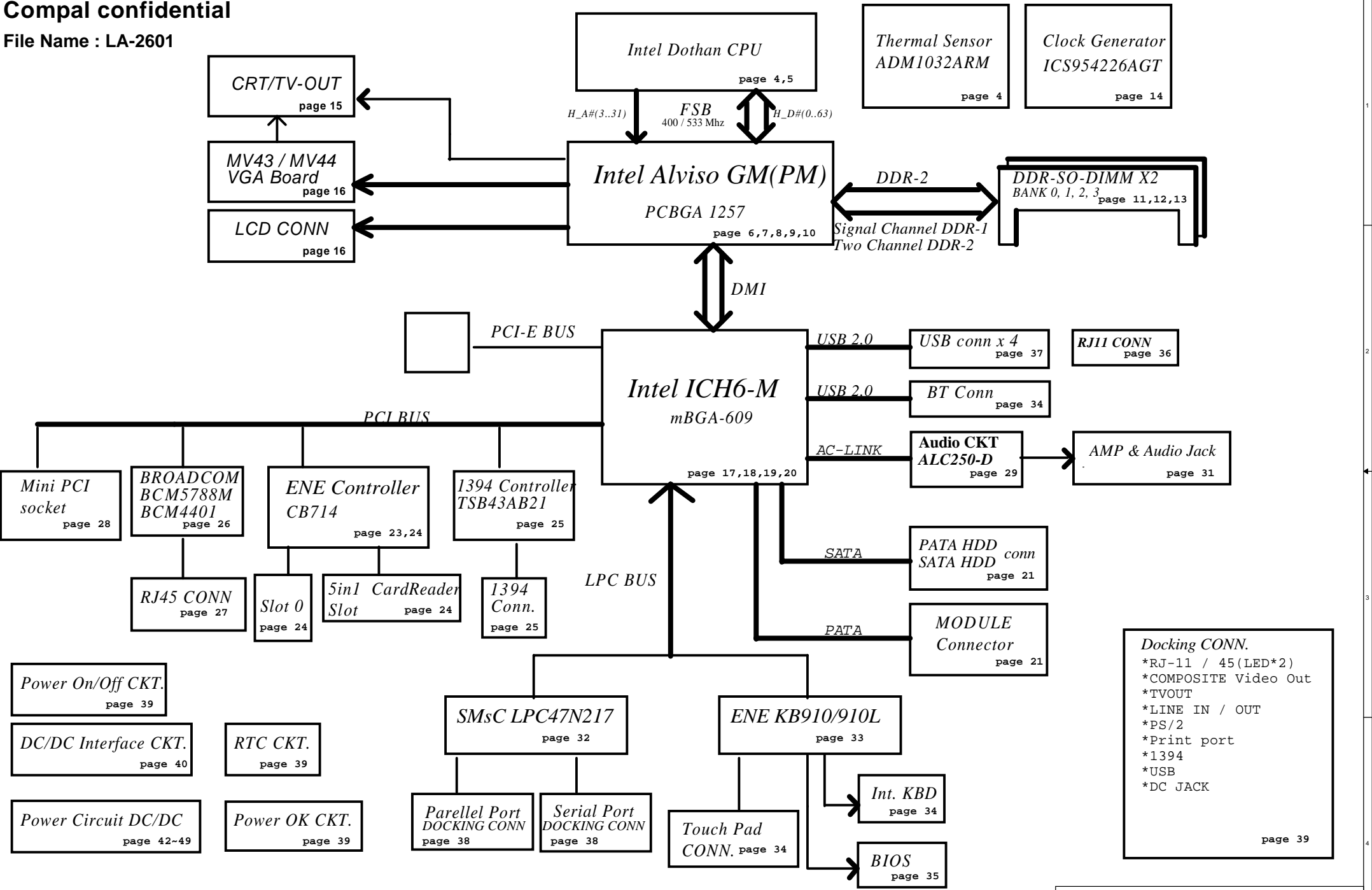
Compal Electronics, Inc.

Title		
SCHEMATIC, M/B LA-2601		
Size	Document Number	Rev
	401336	C
Date:	~P期间, 三月 17, 2005	Sheet 1 of 51

THIS SHEET OF ENGINEERING DRAWING IS THE PROPRIETARY PROPERTY OF COMPAL ELECTRONICS, INC. AND CONTAINS CONFIDENTIAL AND TRADE SECRET INFORMATION. THIS SHEET MAY NOT BE TRANSFERRED FROM THE CUSTODY OF THE COMPETENT DIVISION OF R&D DEPARTMENT EXCEPT AS AUTHORIZED BY COMPAL ELECTRONICS, INC. NEITHER THIS SHEET NOR THE INFORMATION IT CONTAINS MAY BE USED BY OR DISCLOSED TO ANY THIRD PARTY WITHOUT PRIOR WRITTEN CONSENT OF COMPAL ELECTRONICS, INC.

Compal confidential

File Name : LA-2601



Docking CONN.
 *RJ-11 / 45(LED*2)
 *COMPOSITE Video Out
 *TVOUT
 *LINE IN / OUT
 *PS/2
 *Print port
 *1394
 *USB
 *DC JACK

page 39

Compal Electronics, Inc.		
Title	SCHEMATIC, M/B LA-2601	
Size	Document Number	Rev
	401336	C
Date:	~P期间, 三月 17, 2005	Sheet 2 of 51

THIS SHEET OF ENGINEERING DRAWING IS THE PROPRIETARY PROPERTY OF COMPAL ELECTRONICS, INC. AND CONTAINS CONFIDENTIAL AND TRADE SECRET INFORMATION. THIS SHEET MAY NOT BE TRANSFERRED FROM THE CUSTODY OF THE COMPETENT DIVISION OF R&D DEPARTMENT EXCEPT AS AUTHORIZED BY COMPAL ELECTRONICS, INC. NEITHER THIS SHEET NOR THE INFORMATION IT CONTAINS MAY BE USED BY OR DISCLOSED TO ANY THIRD PARTY WITHOUT PRIOR WRITTEN CONSENT OF COMPAL ELECTRONICS, INC.

Voltage Rails

Power Plane	Description	S1	S3	S5
VIN	Adapter power supply (19V)	N/A	N/A	N/A
B+	AC or battery power rail for power circuit.	N/A	N/A	N/A
+CPU_CORE	Core voltage for CPU	ON	OFF	OFF
+1.05VS	1.05V switched power rail	ON	OFF	OFF
+DDRVTT	1.25V switched power rail for DDR terminator	ON	OFF	OFF
+1.5VALW	1.5V always on power rail	ON	ON	ON*
+1.5VS	1.5V switched power rail	ON	OFF	OFF
+1.8VS	1.8V switched power rail	ON	OFF	OFF
+DDRVCC	2.5V power rail for DDR	ON	ON	OFF
+2.5VS	2.5V switched power rail	ON	OFF	OFF
+3VALW	3.3V always on power rail	ON	ON	ON*
+3V	3.3V power rail	ON	ON	OFF
+3VS	3.3V switched power rail	ON	OFF	OFF
+5VALW	5V always on power rail	ON	ON	ON*
+5VS	5V switched power rail	ON	OFF	OFF
+5VMOD	5V switched power rail for Module Bay	ON	OFF	OFF
+12VALW	12V always on power rail	ON	ON	ON*
+RTCVCC	RTC power	ON	ON	ON

Note : ON* means that this power plane is ON only with AC power available, otherwise it is OFF.

External PCI Devices

Device	IDSEL#	REQ#/GNT#	Interrupts
CardBus	AD20	2	PIRQA/PIRQB
1394	AD16	0	PIRQE
SD	AD20	2	PIRQA/PIRQB
Mini-PCI	AD18	1	PIRQG/PIRQH
LAN	AD17	3	PIRQF

EC SM Bus1 address

Device	Address	Device	Address
Smart Battery	0001 011X b	ADM1032	1001 110X b
EEPROM(24C16/02)	1010 000X b	2nd Battery	1001 011X b
(24C04)	1011 000Xb		

EC SM Bus2 address

ICH6M SM Bus address

Device	Address
Clock Generator (ICS 952623)	1101 001Xb
DDR DIMM0	1010 000Xb
DDR DIMM2	1010 010Xb

STATE	SIGNAL	SLP_S1#	SLP_S3#	SLP_S4#	SLP_S5#	+VALW	+V	+VS	Clock
Full ON		HIGH	HIGH	HIGH	HIGH	ON	ON	ON	ON
S1(Power On Suspend)		LOW	HIGH	HIGH	HIGH	ON	ON	ON	LOW
S3 (Suspend to RAM)		LOW	LOW	HIGH	HIGH	ON	ON	OFF	OFF
S4 (Suspend to Disk)		LOW	LOW	LOW	HIGH	ON	OFF	OFF	OFF
S5 (Soft OFF)		LOW	LOW	LOW	LOW	ON	OFF	OFF	OFF

Board ID / SKU ID Table for AD channel

Vcc	3.3V +/- 5%			
Ra / Rc	100K +/- 5%			
Board ID	Rb / Rd	V _{AD_BID} min	V _{AD_BID} typ	V _{AD_BID} max
0	0	0 V	0 V	0 V
1	8.2K +/- 5%	0.216 V	0.250 V	0.289 V
2	18K +/- 5%	0.436 V	0.503 V	0.538 V
3	33K +/- 5%	0.712 V	0.819 V	0.875 V
4	56K +/- 5%	1.036 V	1.185 V	1.264 V
5	100K +/- 5%	1.453 V	1.650 V	1.759 V
6	200K +/- 5%	1.935 V	2.200 V	2.341 V
7	NC	2.500 V	3.300 V	3.300 V

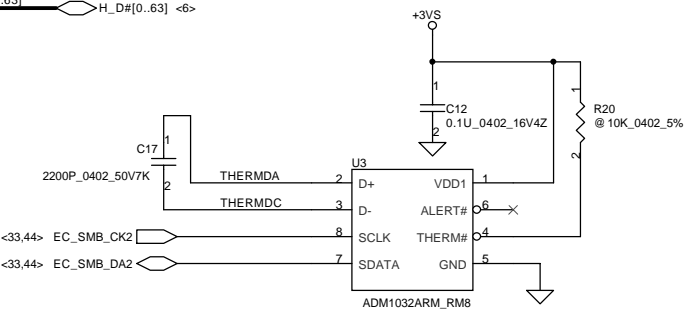
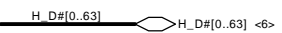
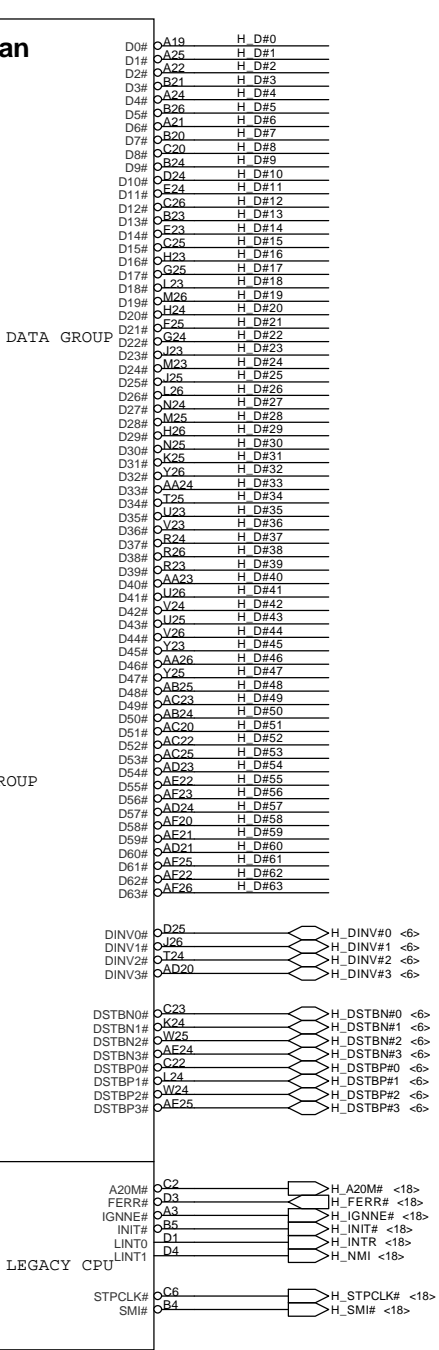
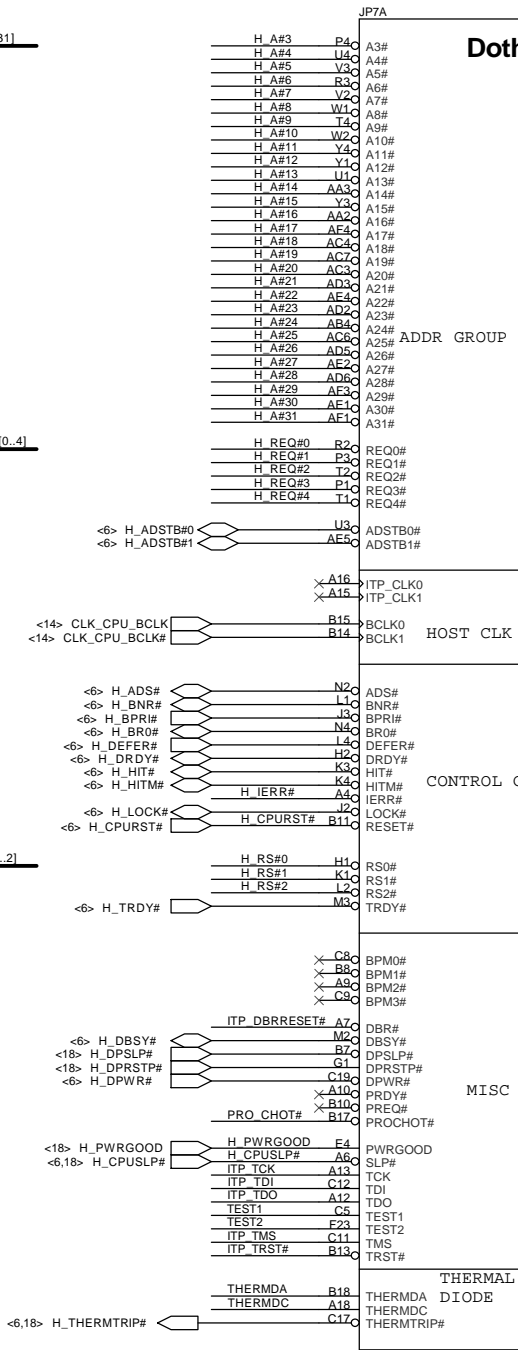
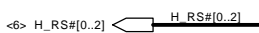
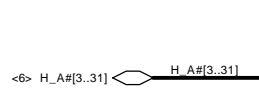
BOARD ID Table

Board ID	PCB Revision
0	0.1
1	
2	
3	
4	
5	
6	
7	

Compal Electronics, Inc.

Title	SCHEMATIC, M/B LA-2601		
Size	Document Number	401336	Rev C
Date:	~P期间, 三月 17, 2005	Sheet	3 of 51

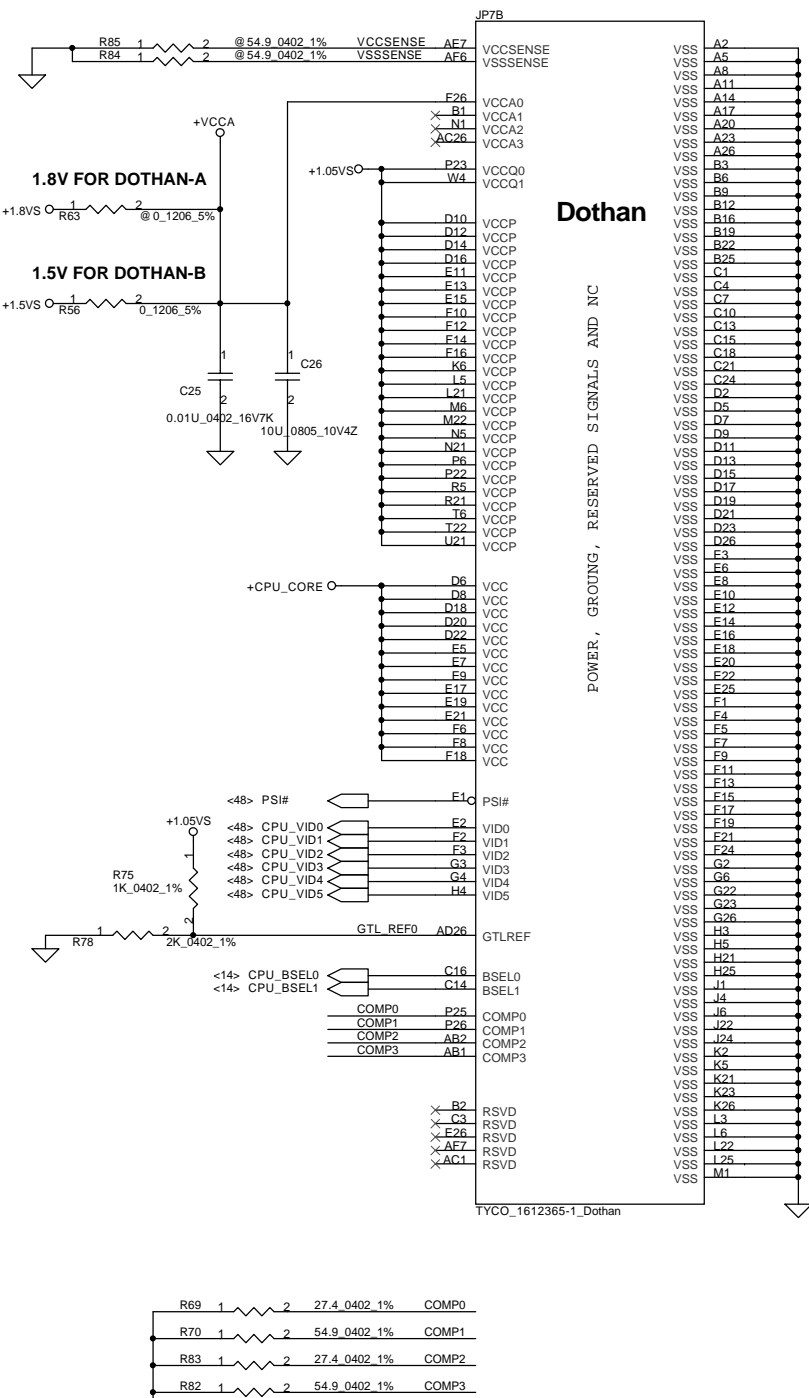
THIS SHEET OF ENGINEERING DRAWING IS THE PROPRIETARY PROPERTY OF COMPAL ELECTRONICS, INC. AND CONTAINS CONFIDENTIAL AND TRADE SECRET INFORMATION. THIS SHEET MAY NOT BE TRANSFERRED FROM THE CUSTODY OF THE COMPETENT DIVISION OF R&D DEPARTMENT EXCEPT AS AUTHORIZED BY COMPAL ELECTRONICS, INC. NEITHER THIS SHEET NOR THE INFORMATION IT CONTAINS MAY BE USED BY OR DISCLOSED TO ANY THIRD PARTY WITHOUT PRIOR WRITTEN CONSENT OF COMPAL ELECTRONICS, INC.



THERMDA & THERMDC Trace / Space = 10 / 10 mil

THIS SHEET OF ENGINEERING DRAWING IS THE PROPRIETARY PROPERTY OF COMPAL ELECTRONICS, INC. AND CONTAINS CONFIDENTIAL AND TRADE SECRET INFORMATION. THIS SHEET MAY NOT BE TRANSFERRED FROM THE CUSTODY OF THE COMPETENT DIVISION OF R&D DEPARTMENT EXCEPT AS AUTHORIZED BY COMPAL ELECTRONICS, INC. NEITHER THIS SHEET NOR THE INFORMATION IT CONTAINS MAY BE USED BY OR DISCLOSED TO ANY THIRD PARTY WITHOUT PRIOR WRITTEN CONSENT OF COMPAL ELECTRONICS, INC.

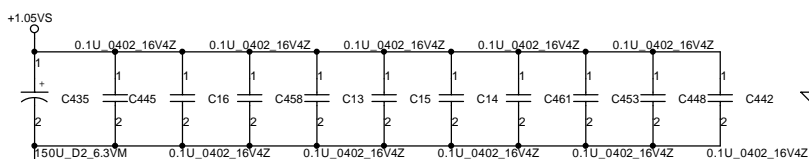
Compal Electronics, Inc.			
Title SCHEMATIC, M/B LA-2601			
Size	Document Number	Rev	
	401336	C	
Date:	~P期间, 三月 17, 2005	Sheet	4 of 51



Dothan

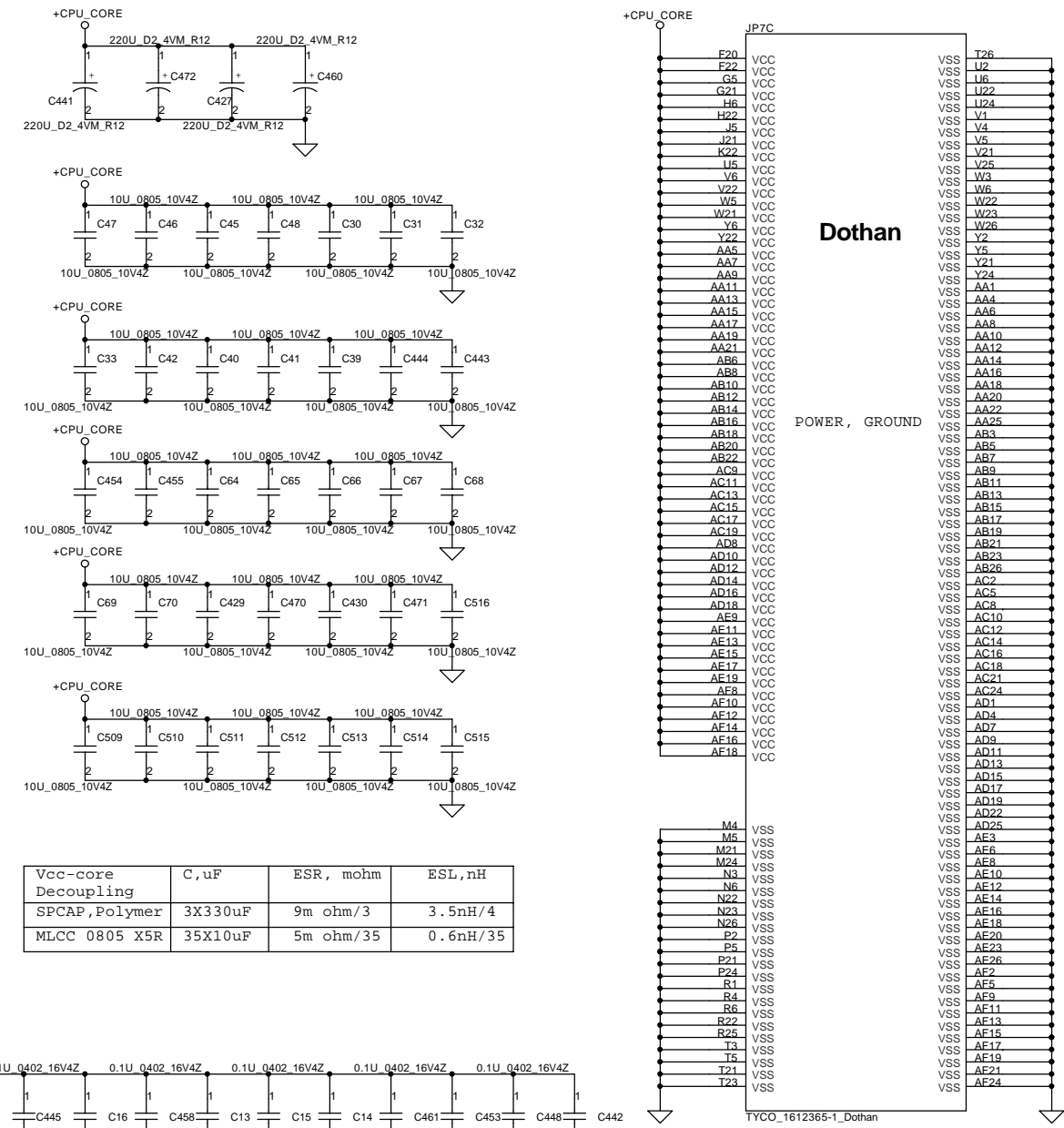
POWER, GROUND, RESERVED SIGNALS AND NC

Vcc-core Decoupling	C, uF	ESR, mohm	ESL, nH
SPCAP, Polymer	3X330uF	9m ohm/3	3.5nH/4
MLCC 0805 X5R	35X10uF	5m ohm/35	0.6nH/35



TRACE CLOSELY CPU < 0.5"

COMP0, COMP2 layout : Width 18mils and Space 25mils
 COMP1, COMP3 layout : Space 25mils



Dothan

POWER, GROUND

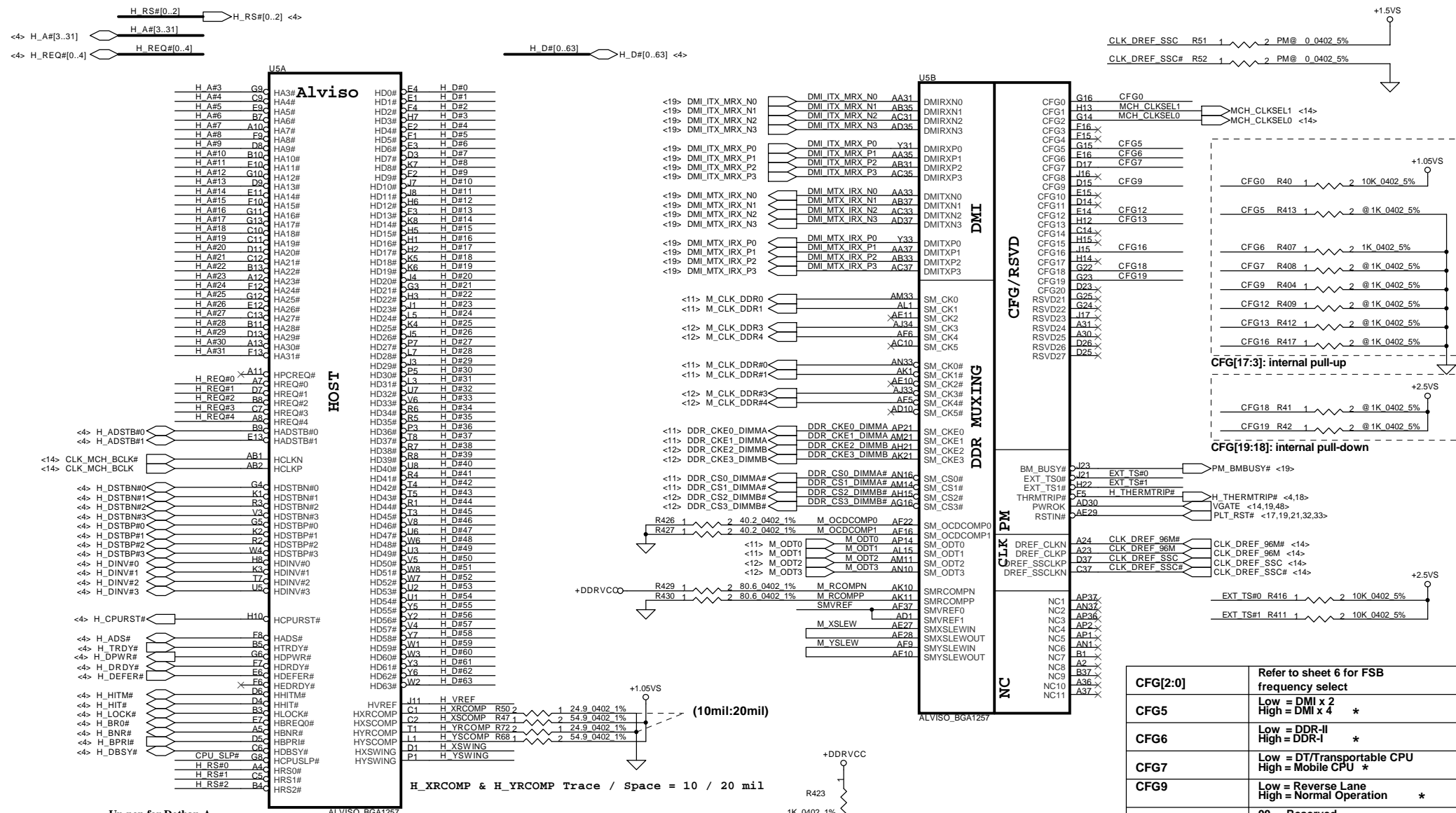
Compal Electronics, Inc.

Title: SCHEMATIC, M/B LA-2601

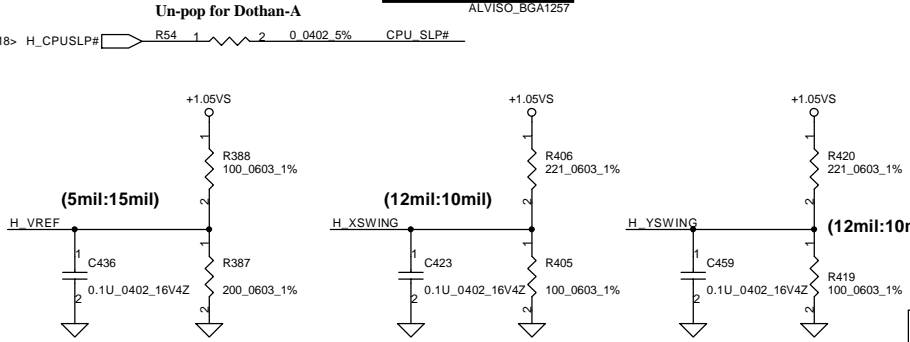
Size: Document Number: 401336 Rev: C

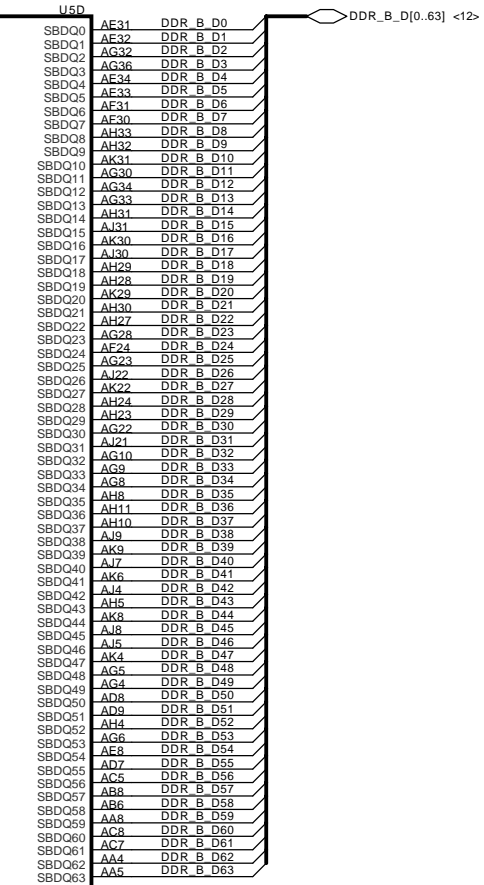
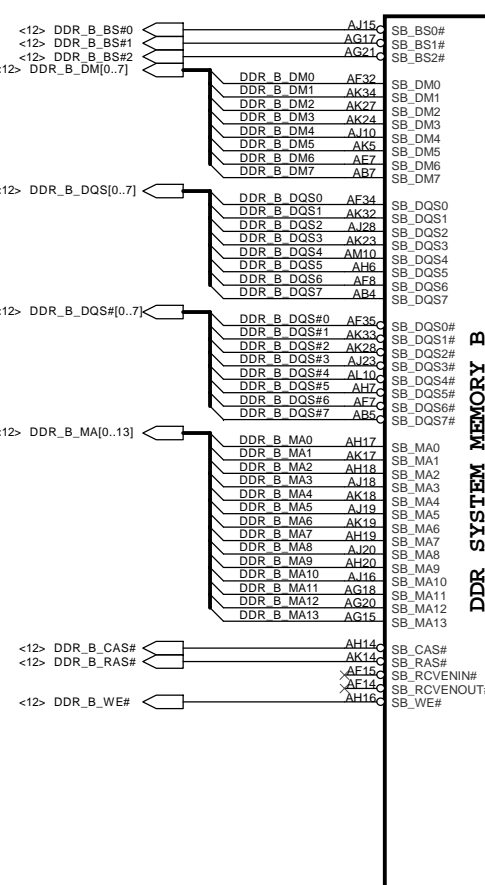
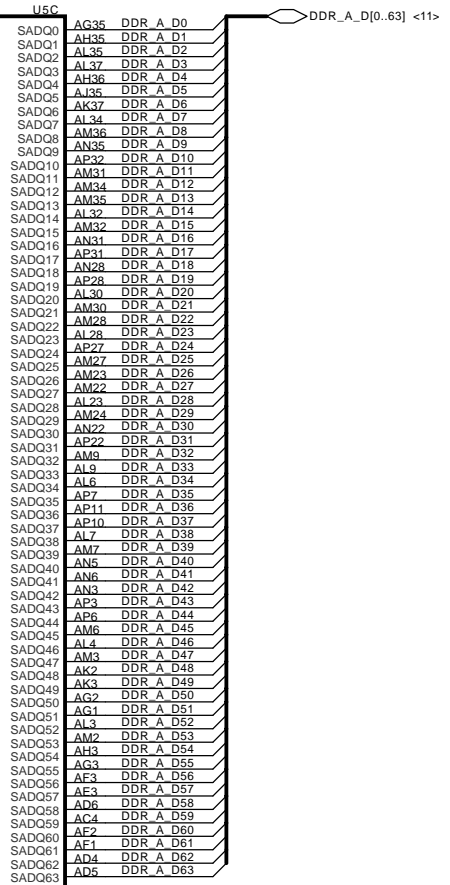
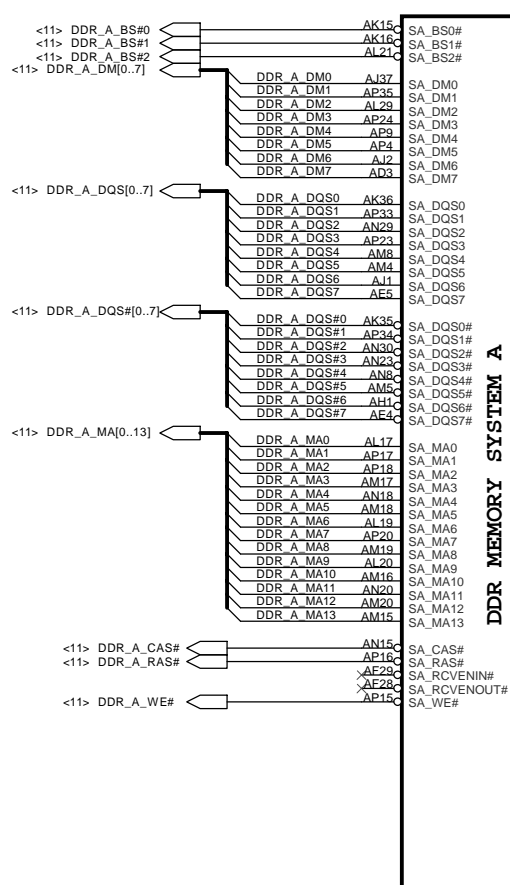
Date: ~P 期四, 三月 17, 2005 Sheet: 5 of 51

THIS SHEET OF ENGINEERING DRAWING IS THE PROPRIETARY PROPERTY OF COMPAL ELECTRONICS, INC. AND CONTAINS CONFIDENTIAL AND TRADE SECRET INFORMATION. THIS SHEET MAY NOT BE TRANSFERRED FROM THE CUSTODY OF THE COMPETENT DIVISION OF R&D DEPARTMENT EXCEPT AS AUTHORIZED BY COMPAL ELECTRONICS, INC. NEITHER THIS SHEET NOR THE INFORMATION IT CONTAINS MAY BE USED BY OR DISCLOSED TO ANY THIRD PARTY WITHOUT PRIOR WRITTEN CONSENT OF COMPAL ELECTRONICS, INC.



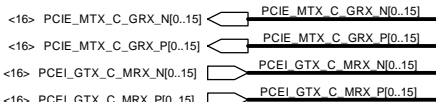
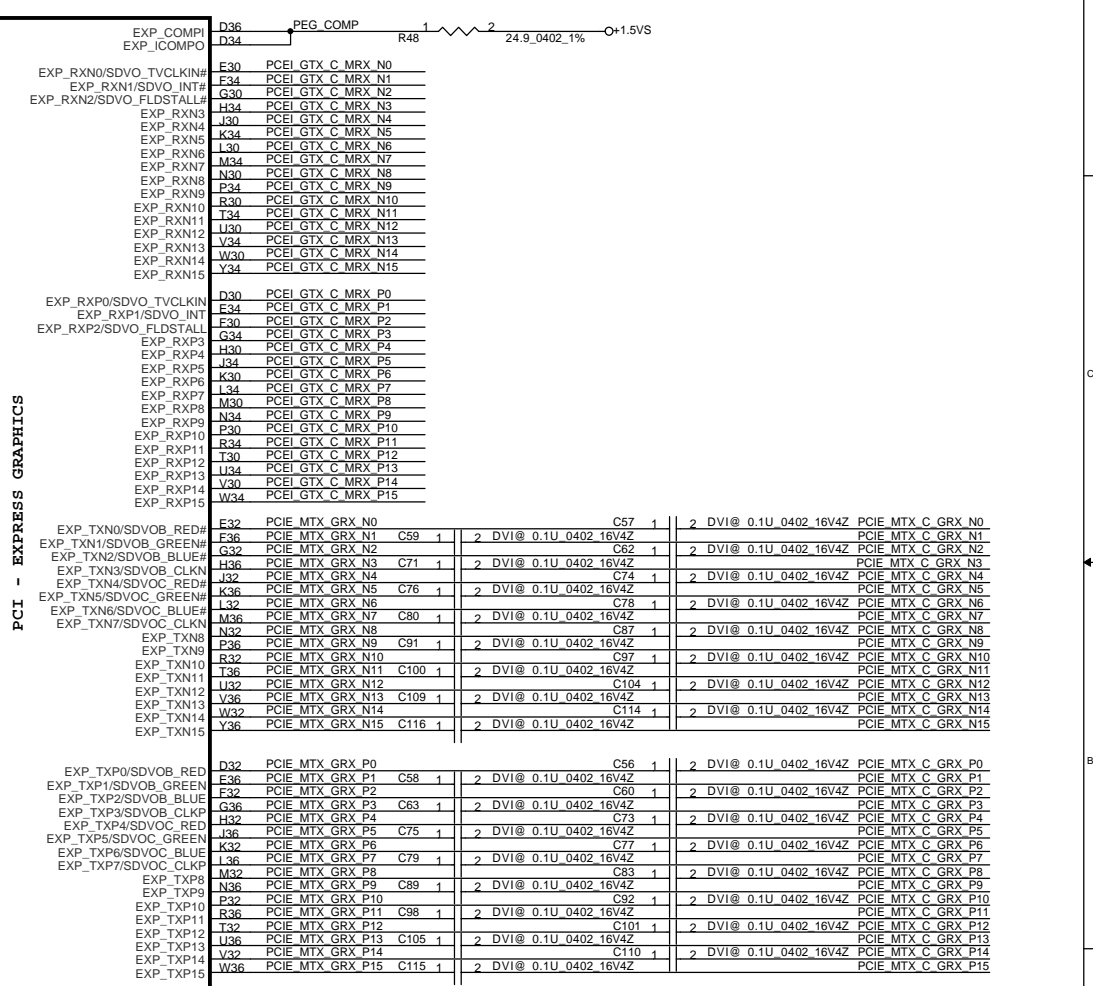
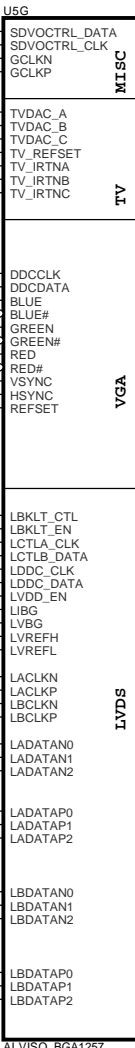
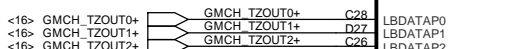
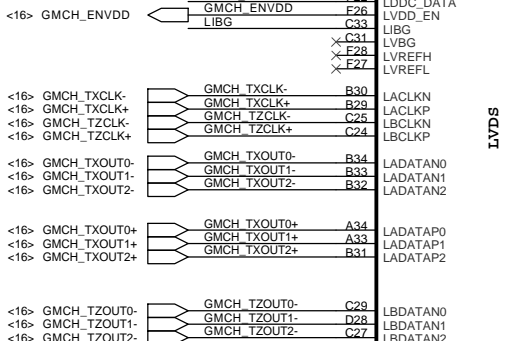
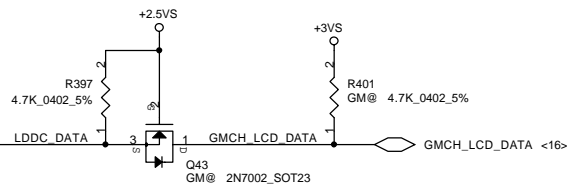
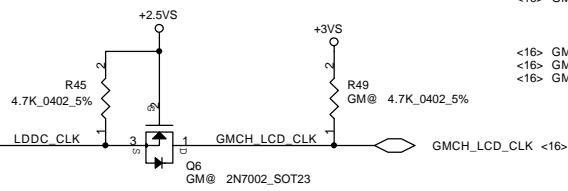
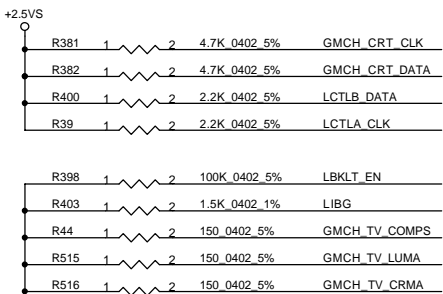
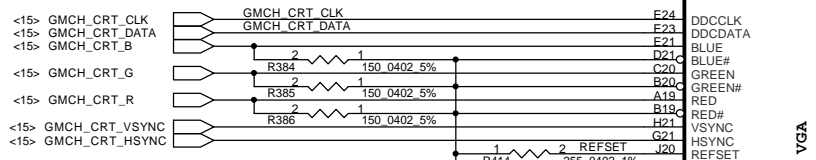
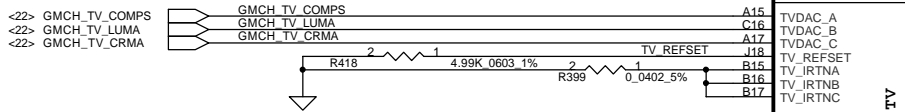
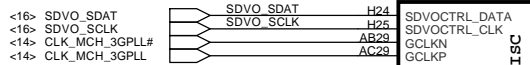
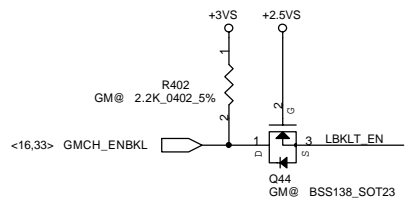
CFG Pin	Configuration	Refer to sheet 6 for FSF frequency select
CFG[2:0]	Low = DMI x 2 High = DMI x 4	*
CFG5	Low = DMI x 2 High = DMI x 4	*
CFG6	Low = DDR-II High = DDR-I	*
CFG7	Low = DT/Transportable CPU High = Mobile CPU	*
CFG9	Low = Reverse Lane High = Normal Operation	*
CFG[13:12]	00 = Reserved 01 = XOR Mode Enabled 10 = All Z Mode Enabled 11 = Normal Operation (Default)	*
CFG16 (FSB Dynamic ODT)	Low = Disabled High = Enabled	*
CFG18 (VCC Select)	Low = 1.05V (Default) High = 1.5V	*
CFG19 (VTT Select)	Low = 1.05V (Default) High = 1.2V	*

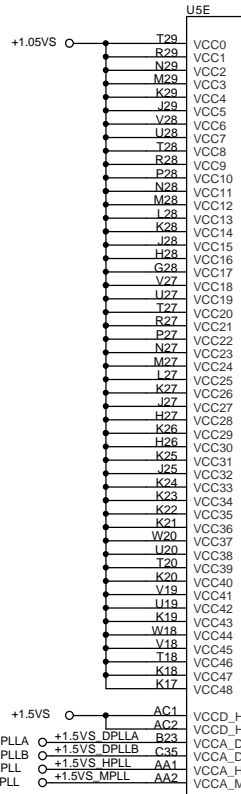




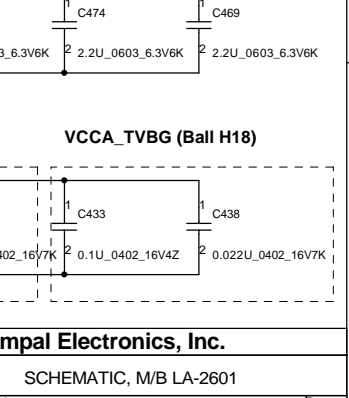
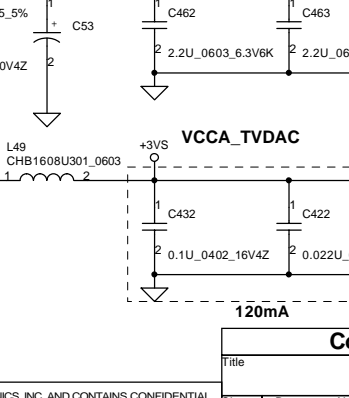
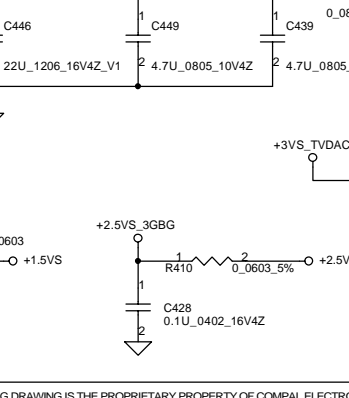
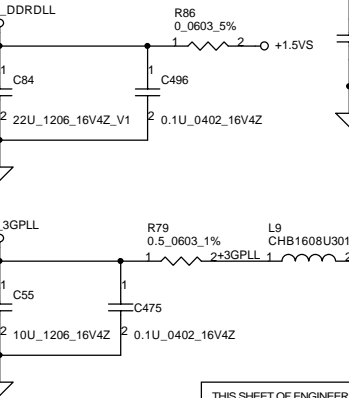
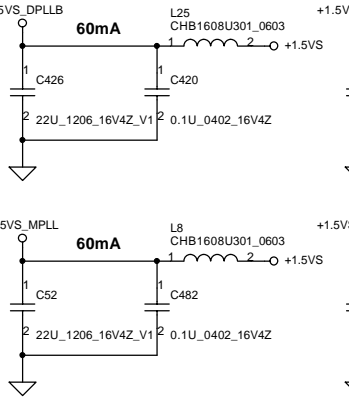
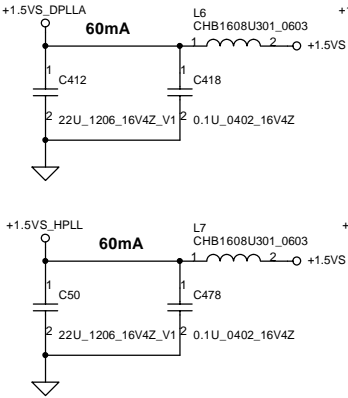
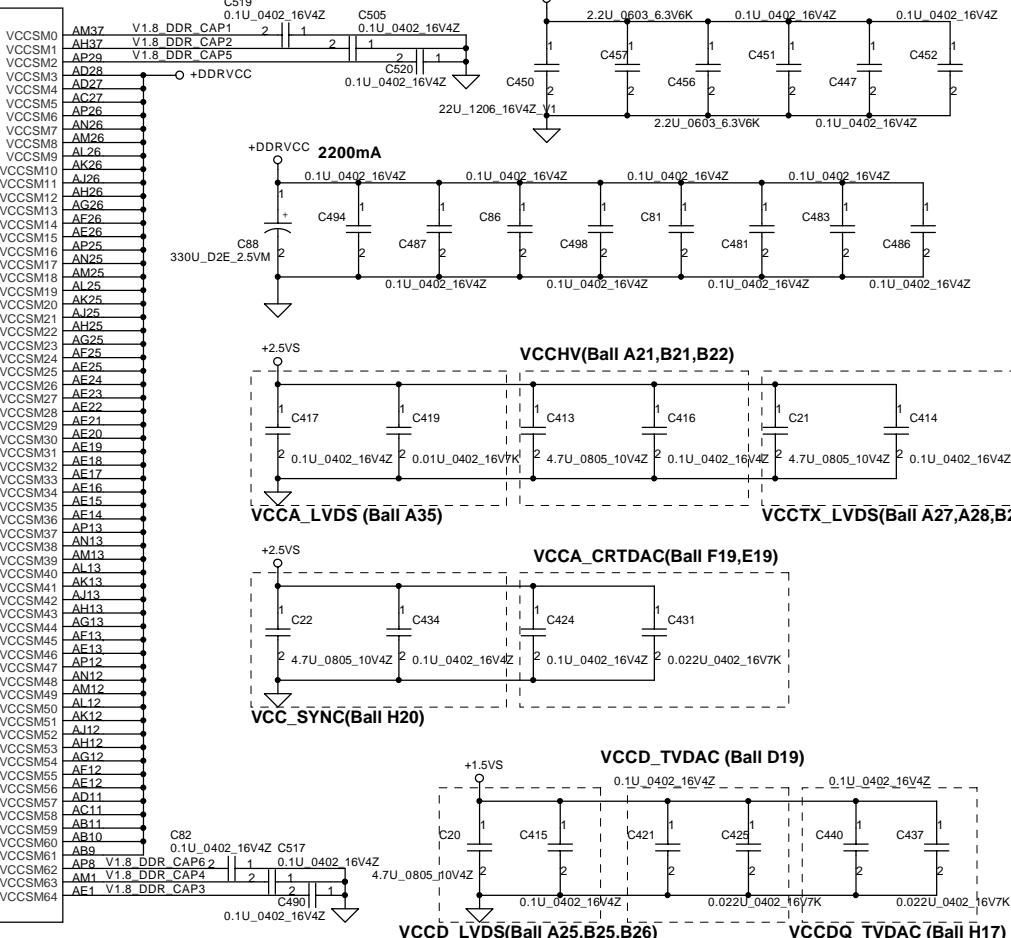
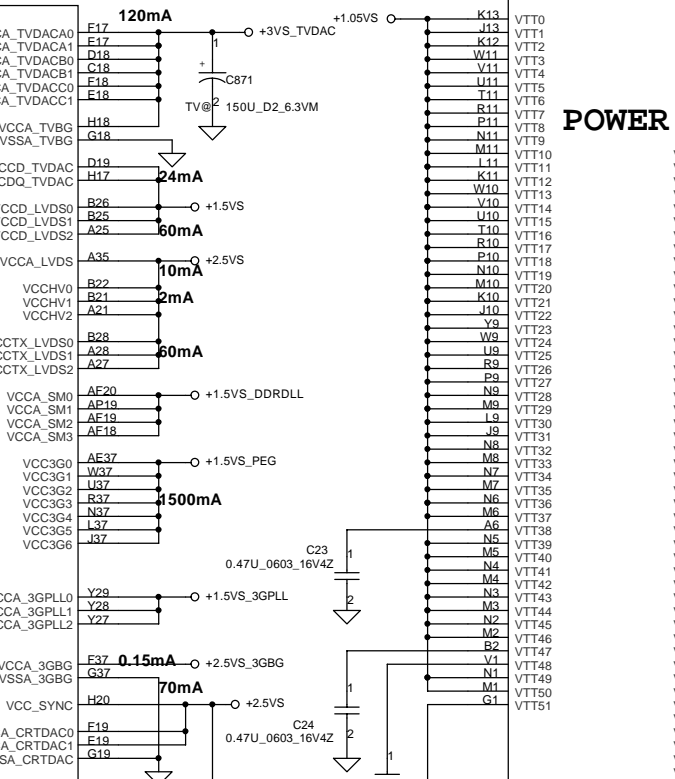
Compal Electronics, Inc.			
Title	SCHEMATIC, M/B LA-2601		
Size	Document Number	401336	Rev C
Date:	~P期间, 三月 17, 2005	Sheet 7	of 51

THIS SHEET OF ENGINEERING DRAWING IS THE PROPRIETARY PROPERTY OF COMPAL ELECTRONICS, INC. AND CONTAINS CONFIDENTIAL AND TRADE SECRET INFORMATION. THIS SHEET MAY NOT BE TRANSFERRED FROM THE CUSTODY OF THE COMPETENT DIVISION OF R&D DEPARTMENT EXCEPT AS AUTHORIZED BY COMPAL ELECTRONICS, INC. NEITHER THIS SHEET NOR THE INFORMATION IT CONTAINS MAY BE USED BY OR DISCLOSED TO ANY THIRD PARTY WITHOUT PRIOR WRITTEN CONSENT OF COMPAL ELECTRONICS, INC.





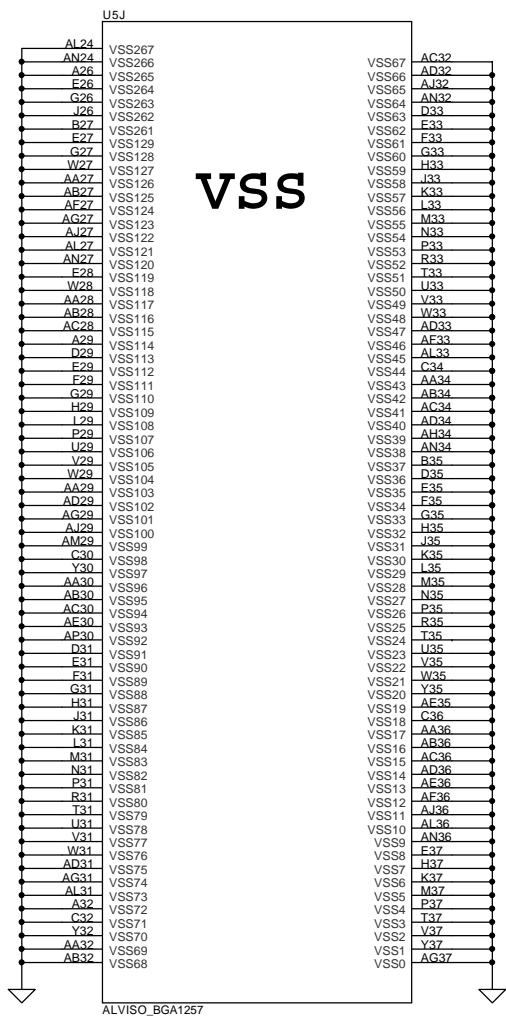
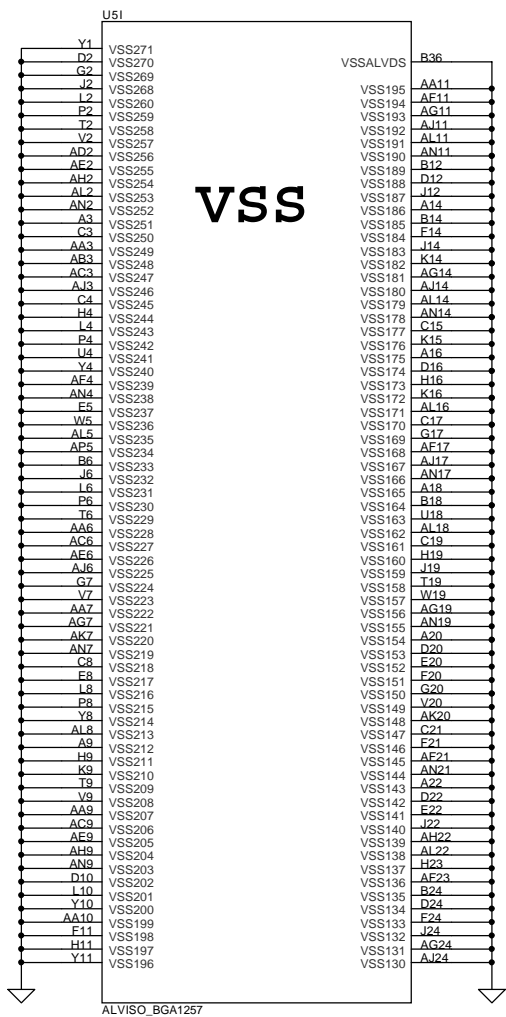
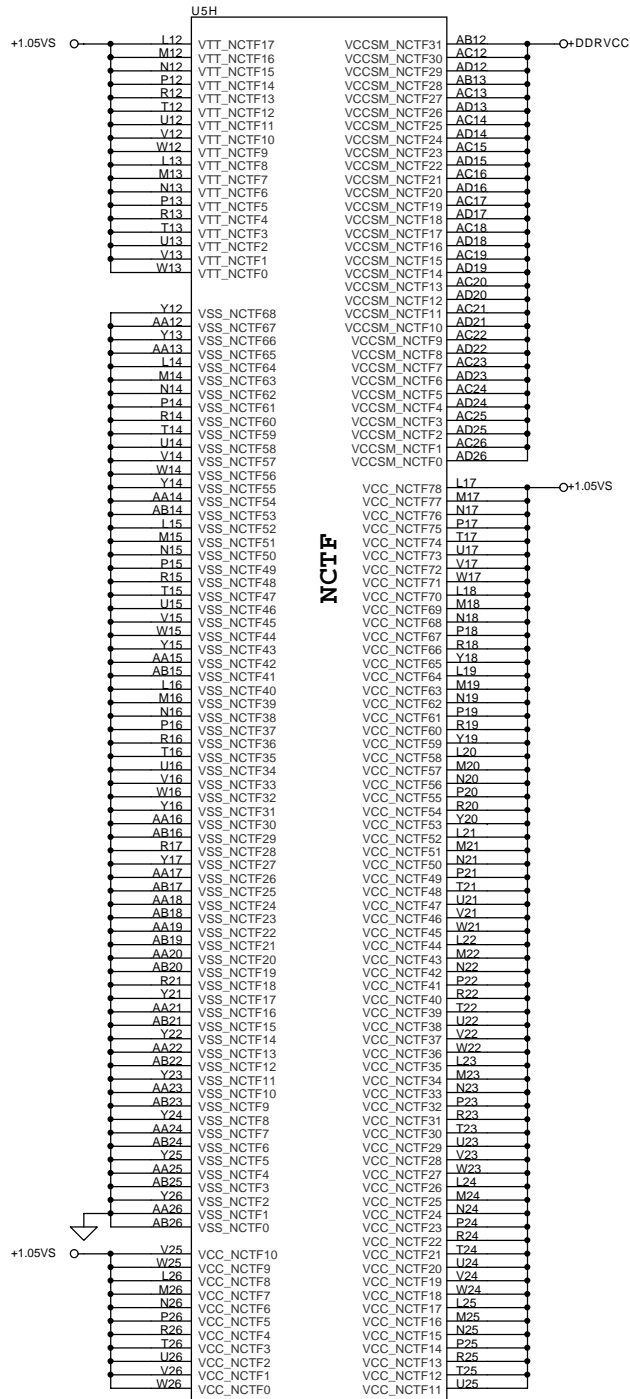
POWER



Compal Electronics, Inc.

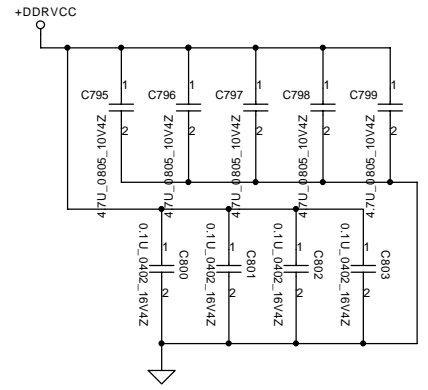
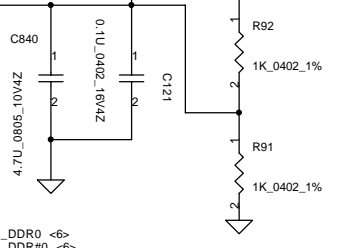
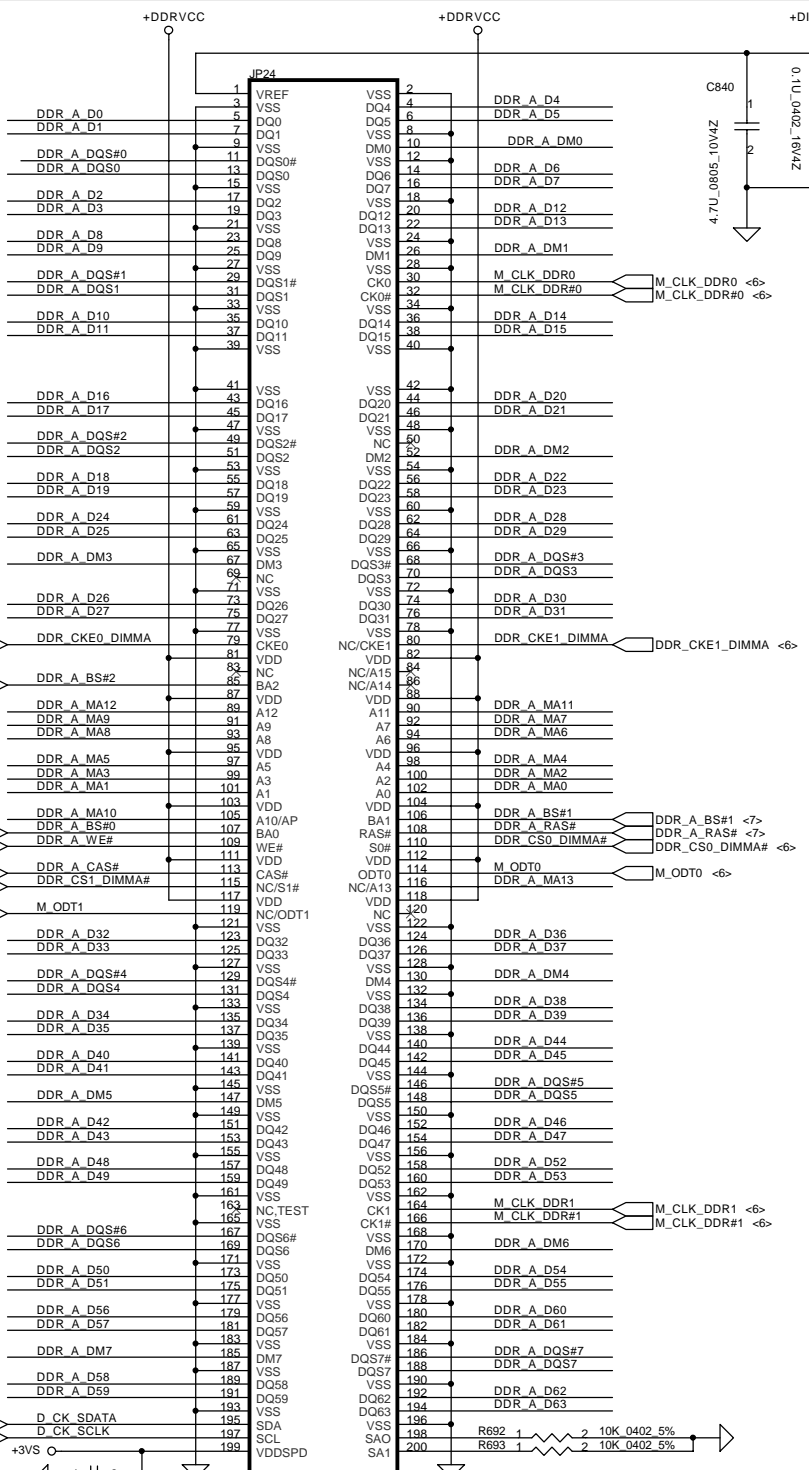
Title	SCHEMATIC, M/B LA-2601	
Size	Document Number	Rev C
Date		401336
~P 期间, 三月 17, 2005		Sheet 9 of 51

THIS SHEET OF ENGINEERING DRAWING IS THE PROPRIETARY PROPERTY OF COMPAL ELECTRONICS, INC. AND CONTAINS CONFIDENTIAL AND TRADE SECRET INFORMATION. THIS SHEET MAY NOT BE TRANSFERRED FROM THE CUSTODY OF THE COMPETENT DIVISION OF R&D DEPARTMENT EXCEPT AS AUTHORIZED BY COMPAL ELECTRONICS, INC. NEITHER THIS SHEET NOR THE INFORMATION IT CONTAINS MAY BE USED BY OR DISCLOSED TO ANY THIRD PARTY WITHOUT PRIOR WRITTEN CONSENT OF COMPAL ELECTRONICS, INC.

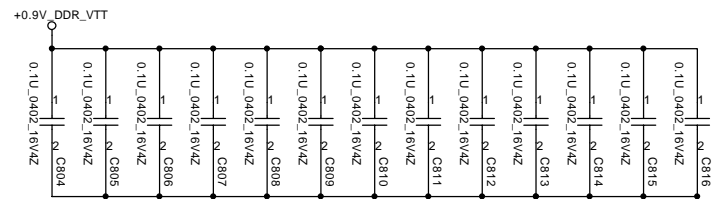


Compal Electronics, Inc.		
Title		
SCHEMATIC, M/B LA-2601		
Size	Document Number	Rev
	401336	C
Date:	~P 期间, 三月 17, 2005	Sheet 10 of 51

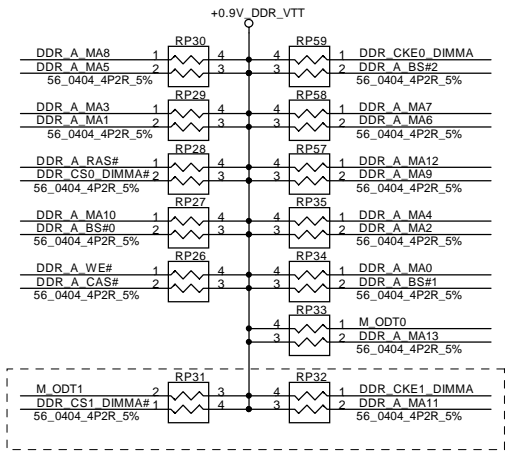
THIS SHEET OF ENGINEERING DRAWING IS THE PROPRIETARY PROPERTY OF COMPAL ELECTRONICS, INC. AND CONTAINS CONFIDENTIAL AND TRADE SECRET INFORMATION. THIS SHEET MAY NOT BE TRANSFERRED FROM THE CUSTODY OF THE COMPETENT DIVISION OF R&D DEPARTMENT EXCEPT AS AUTHORIZED BY COMPAL ELECTRONICS, INC. NEITHER THIS SHEET NOR THE INFORMATION IT CONTAINS MAY BE USED BY OR DISCLOSED TO ANY THIRD PARTY WITHOUT PRIOR WRITTEN CONSENT OF COMPAL ELECTRONICS, INC.



Layout Note:
Place near DIMM

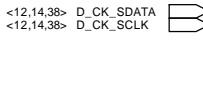


Layout Note:
Place one cap close to every 2 pullup resistors terminated to +0.9V_DDR_VTT



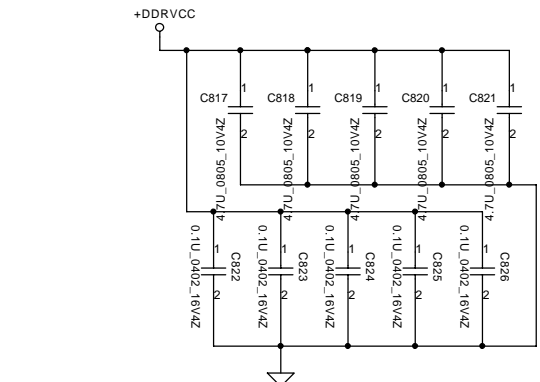
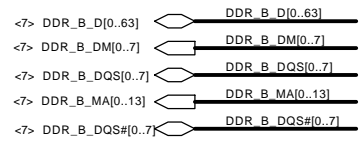
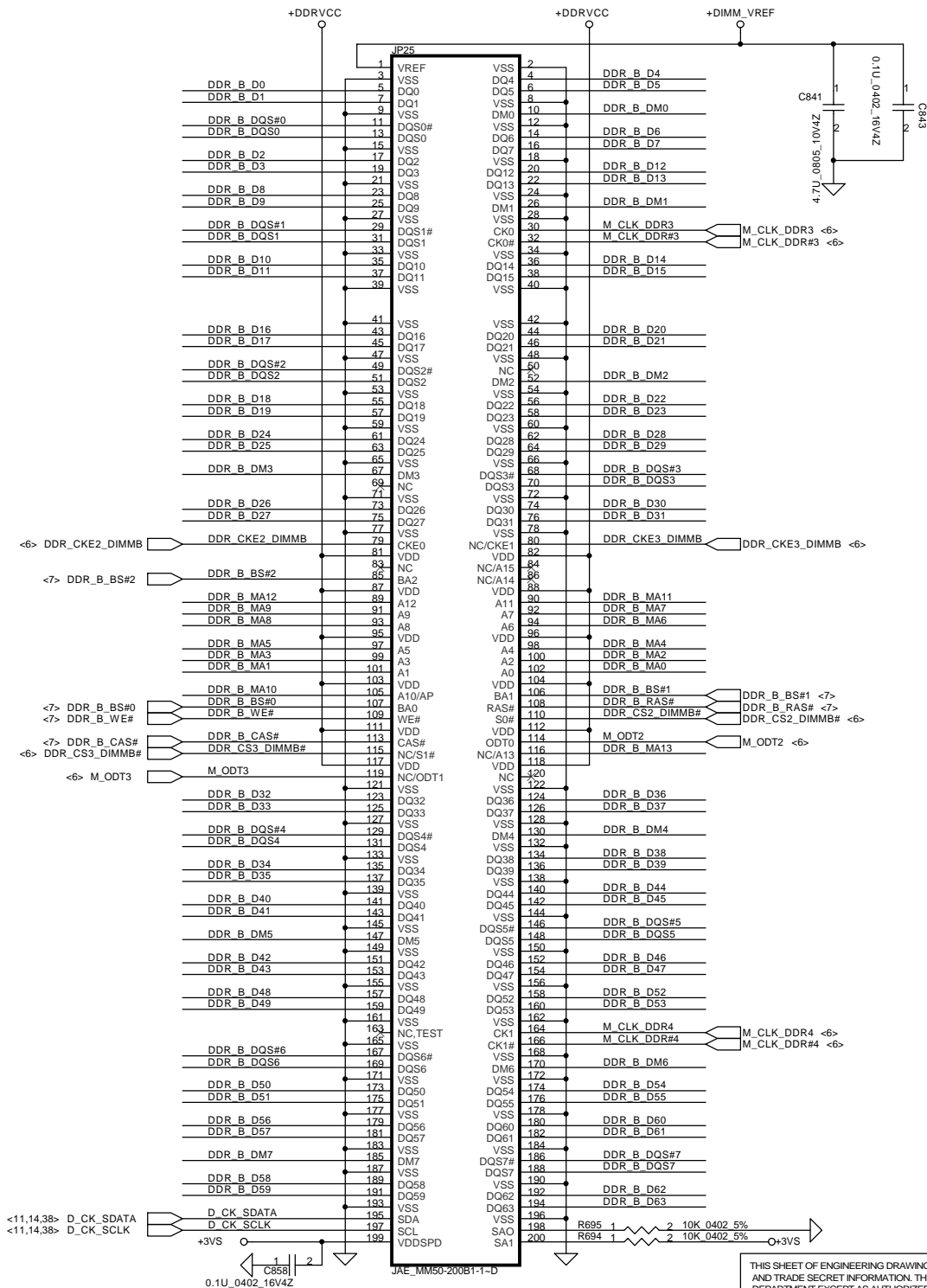
Layout Note:
Place these resistor closely DIMM0, all trace length < 750 mil

Layout Note:
Place these resistor closely DIMM0, all trace length Max=1.3"

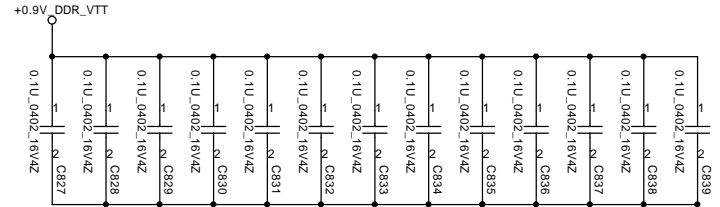


THIS SHEET OF ENGINEERING DRAWING IS THE PROPRIETARY PROPERTY OF COMPAL ELECTRONICS, INC. AND CONTAINS CONFIDENTIAL AND TRADE SECRET INFORMATION. THIS SHEET MAY NOT BE TRANSFERRED FROM THE CUSTODY OF THE COMPETENT DIVISION OF R&D DEPARTMENT EXCEPT AS AUTHORIZED BY COMPAL ELECTRONICS, INC. NEITHER THIS SHEET NOR THE INFORMATION IT CONTAINS MAY BE USED BY OR DISCLOSED TO ANY THIRD PARTY WITHOUT PRIOR WRITTEN CONSENT OF COMPAL ELECTRONICS, INC.

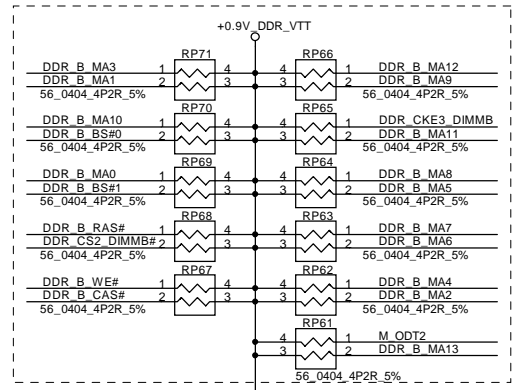
Compal Electronics, Inc.	
Title SCHEMATIC, M/B LA-2601	
Size	Document Number 401336
Date:	~P期间, 三月 17, 2005
Sheet 11 of 51	



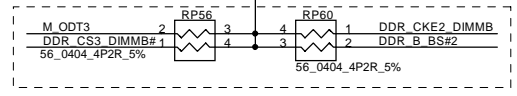
Layout Note:
Place near DIMM



Layout Note:
Place one cap close to every 2 pullup resistors terminated to +0.9V_DDR_VTT



Layout Note:
Place these resistor closely DIMM0, all trace length < 750 mil



Layout Note:
Place these resistor closely DIMM0, all trace length Max=1.3"

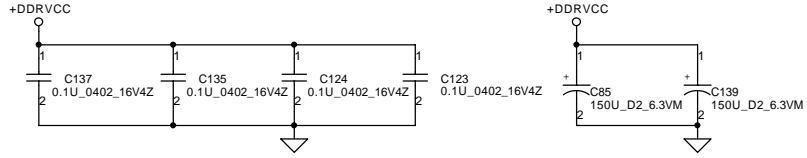
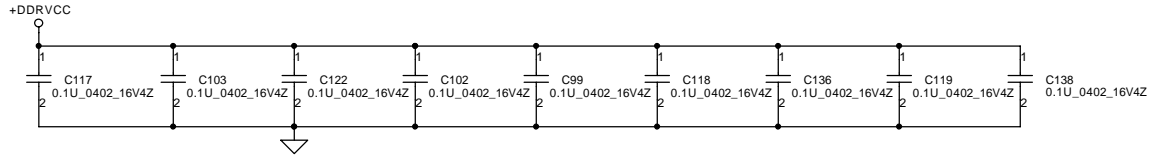
Compal Electronics, Inc.

Title: SCHEMATIC, M/B LA-2601

Size	Document Number	Rev
	401336	C
Date:	~P期间, 三月 17, 2005	Sheet 12 of 51

THIS SHEET OF ENGINEERING DRAWING IS THE PROPRIETARY PROPERTY OF COMPAL ELECTRONICS, INC. AND CONTAINS CONFIDENTIAL AND TRADE SECRET INFORMATION. THIS SHEET MAY NOT BE TRANSFERRED FROM THE CUSTODY OF THE COMPETENT DIVISION OF R&D DEPARTMENT EXCEPT AS AUTHORIZED BY COMPAL ELECTRONICS, INC. NEITHER THIS SHEET NOR THE INFORMATION IT CONTAINS MAY BE USED BY OR DISCLOSED TO ANY THIRD PARTY WITHOUT PRIOR WRITTEN CONSENT OF COMPAL ELECTRONICS, INC.

Layout note :
Distribute as close as possible
to DDR-SODIMM.



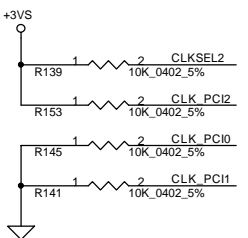
THIS SHEET OF ENGINEERING DRAWING IS THE PROPRIETARY PROPERTY OF COMPAL ELECTRONICS, INC. AND CONTAINS CONFIDENTIAL AND TRADE SECRET INFORMATION. THIS SHEET MAY NOT BE TRANSFERRED FROM THE CUSTODY OF THE COMPETENT DIVISION OF R&D DEPARTMENT EXCEPT AS AUTHORIZED BY COMPAL ELECTRONICS, INC. NEITHER THIS SHEET NOR THE INFORMATION IT CONTAINS MAY BE USED BY OR DISCLOSED TO ANY THIRD PARTY WITHOUT PRIOR WRITTEN CONSENT OF COMPAL ELECTRONICS, INC.

Compal Electronics, Inc.		
Title SCHEMATIC, M/B LA-2601		
Size	Document Number 401336	Rev C
Date	~P期间, 三月 17, 2005	
Sheet 13		of 51

FSC	FSB	FSA	CPU	SRC	PCI
CLKSEL0	CLKSEL1	CLKSEL2	MHz	MHz	MHz
1	0	1	100	100	33.3
0	0	1	133	100	33.3
0	1	1	166	100	33.3
0	1	0	200	100	33.3

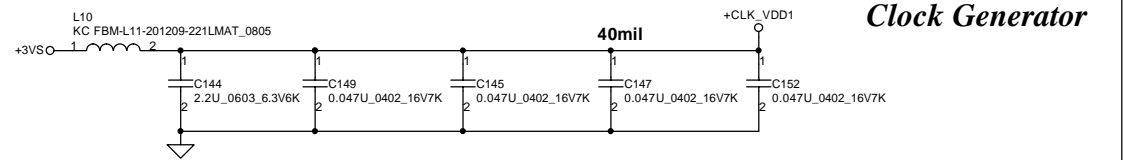
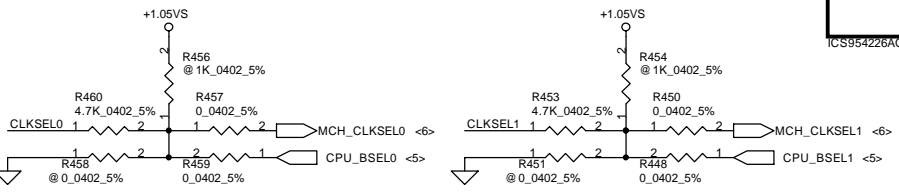
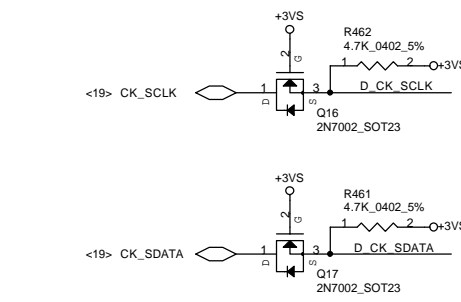
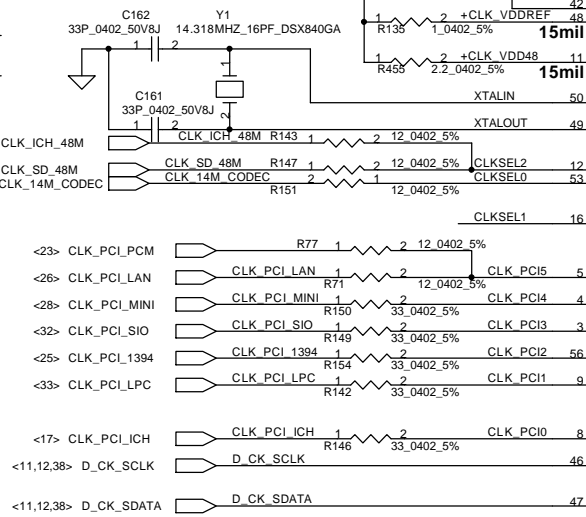
Table : ICS 954206B

CLK_PCI2 = 1, Pin 32,33 are PEREQ# pin

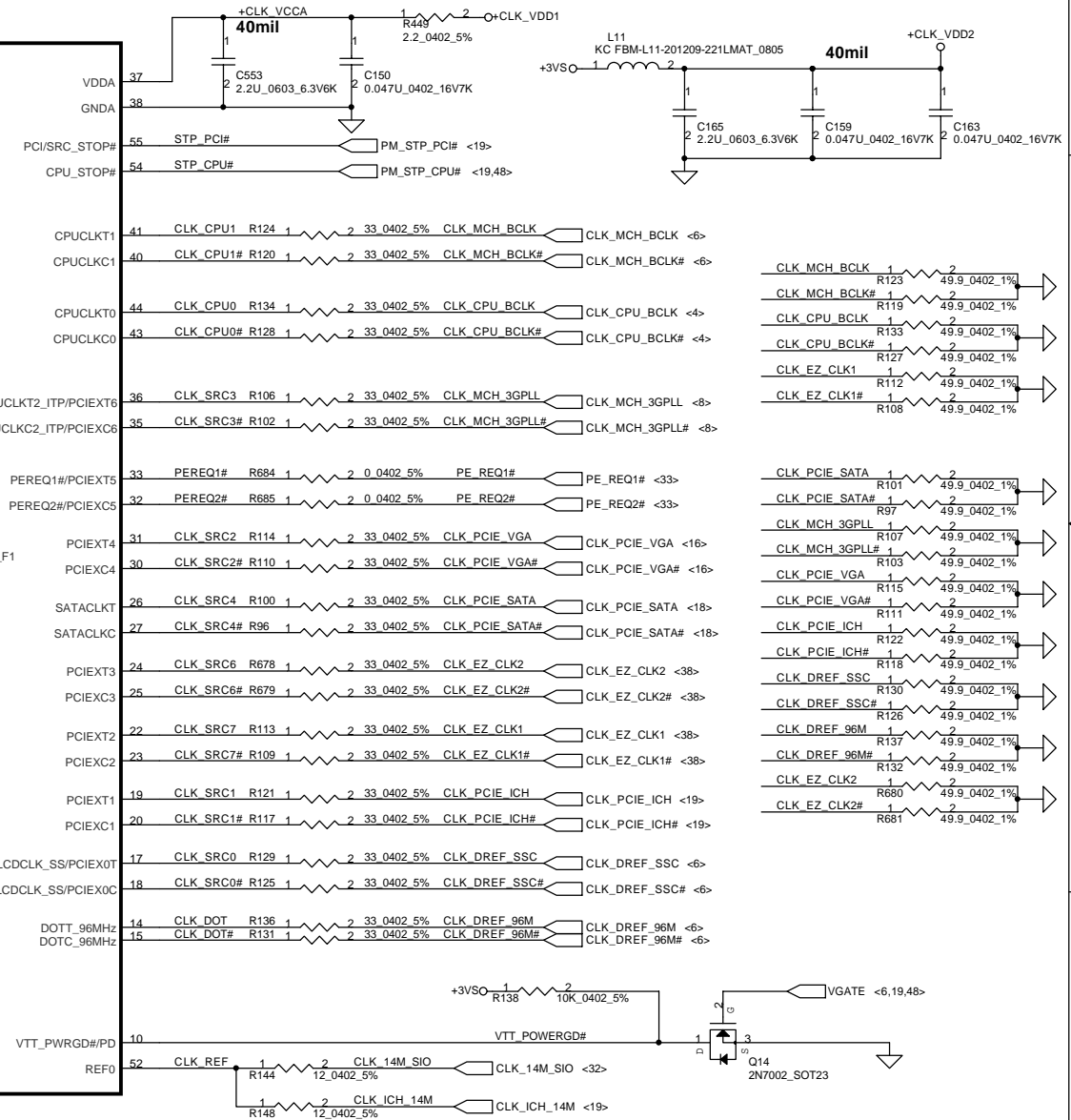


CLK_PCI0 = 0, Pin 35,36 are PCIe CLK pair

CLK_PCI1 = 0, Pin 17,18 are 96MHz



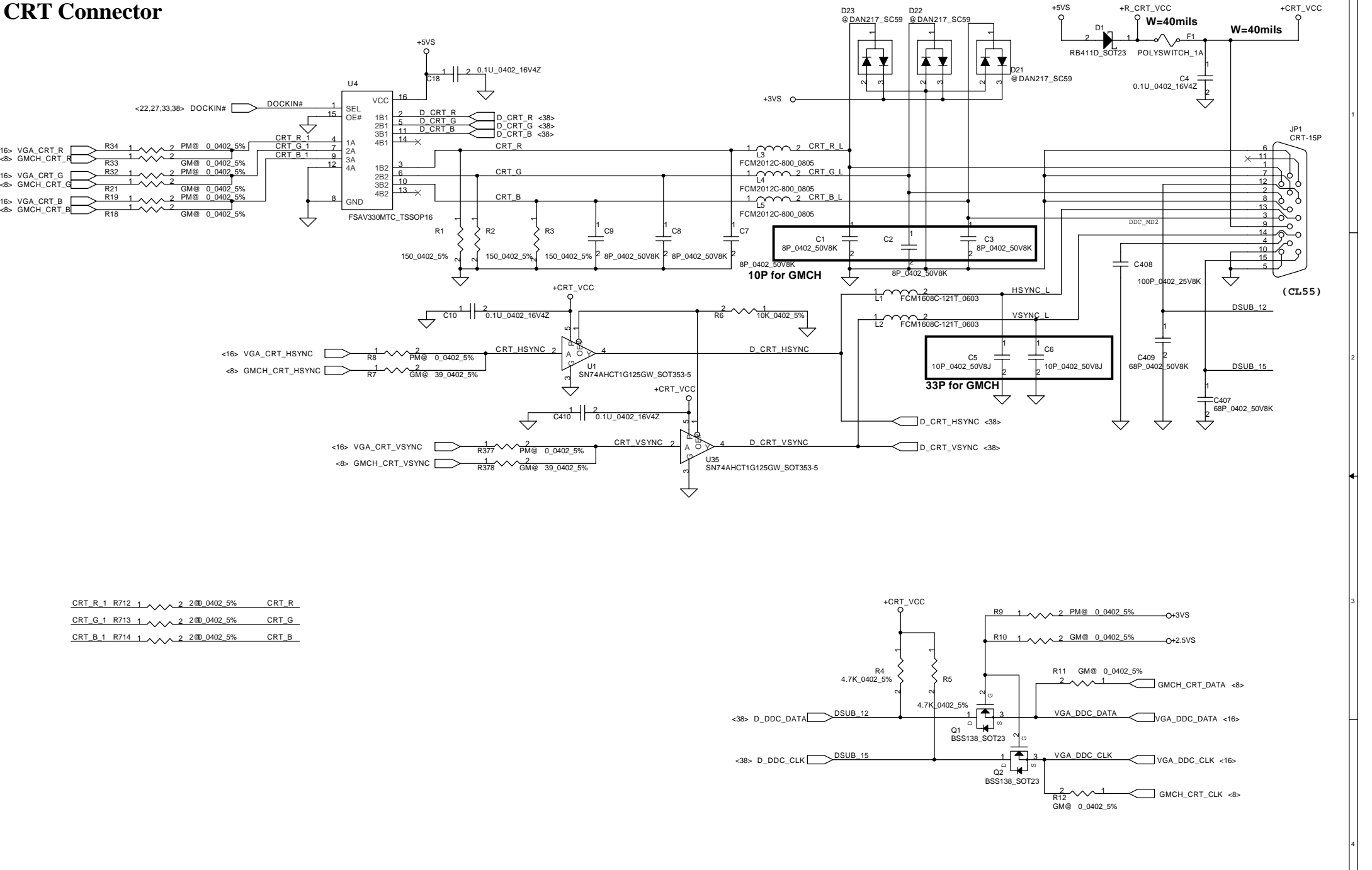
Clock Generator



THIS SHEET OF ENGINEERING DRAWING IS THE PROPRIETARY PROPERTY OF COMPAL ELECTRONICS, INC. AND CONTAINS CONFIDENTIAL AND TRADE SECRET INFORMATION. THIS SHEET MAY NOT BE TRANSFERRED FROM THE CUSTODY OF THE COMPETENT DIVISION OF R&D DEPARTMENT EXCEPT AS AUTHORIZED BY COMPAL ELECTRONICS, INC. NEITHER THIS SHEET NOR THE INFORMATION IT CONTAINS MAY BE USED BY OR DISCLOSED TO ANY THIRD PARTY WITHOUT PRIOR WRITTEN CONSENT OF COMPAL ELECTRONICS, INC.

Compal Electronics, Inc.		
Title SCHEMATIC, M/B LA-2601		
Size	Document Number 401336	Rev C
Date	~P星期四, 三月 17, 2005	
	Sheet	14 of 51

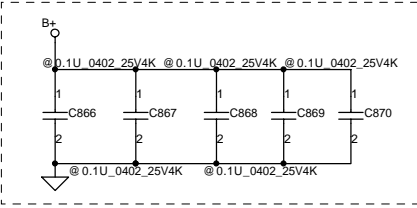
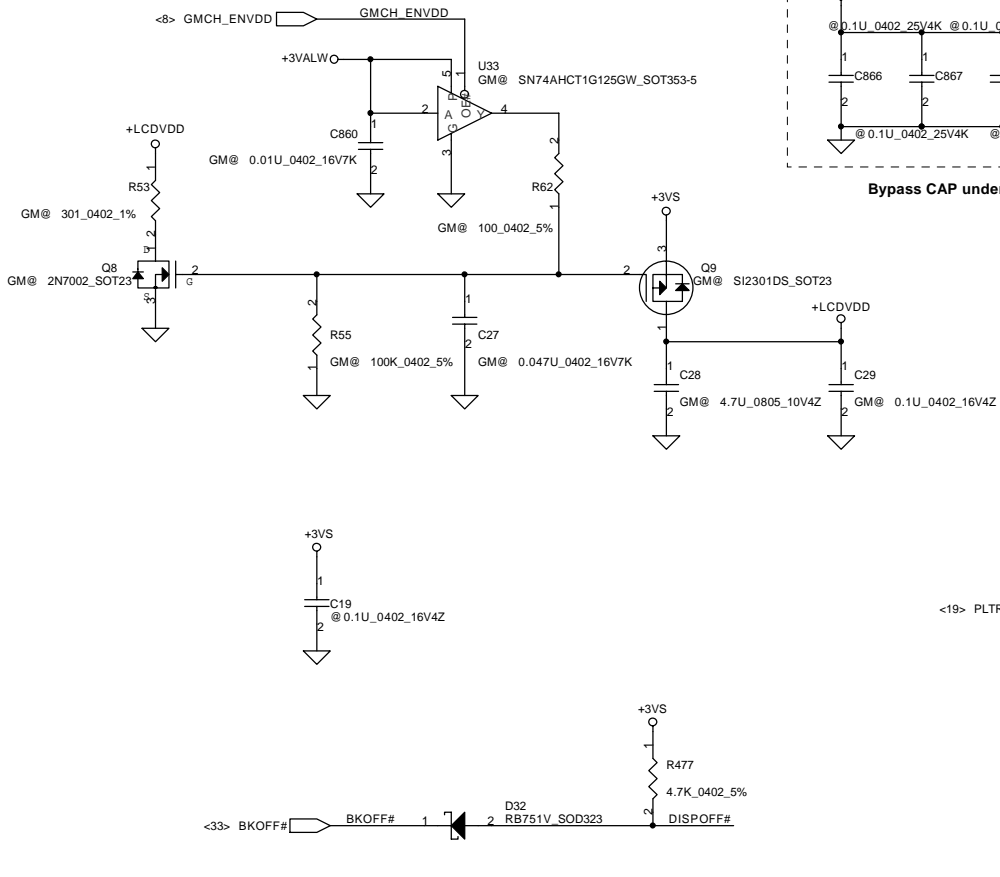
CRT Connector



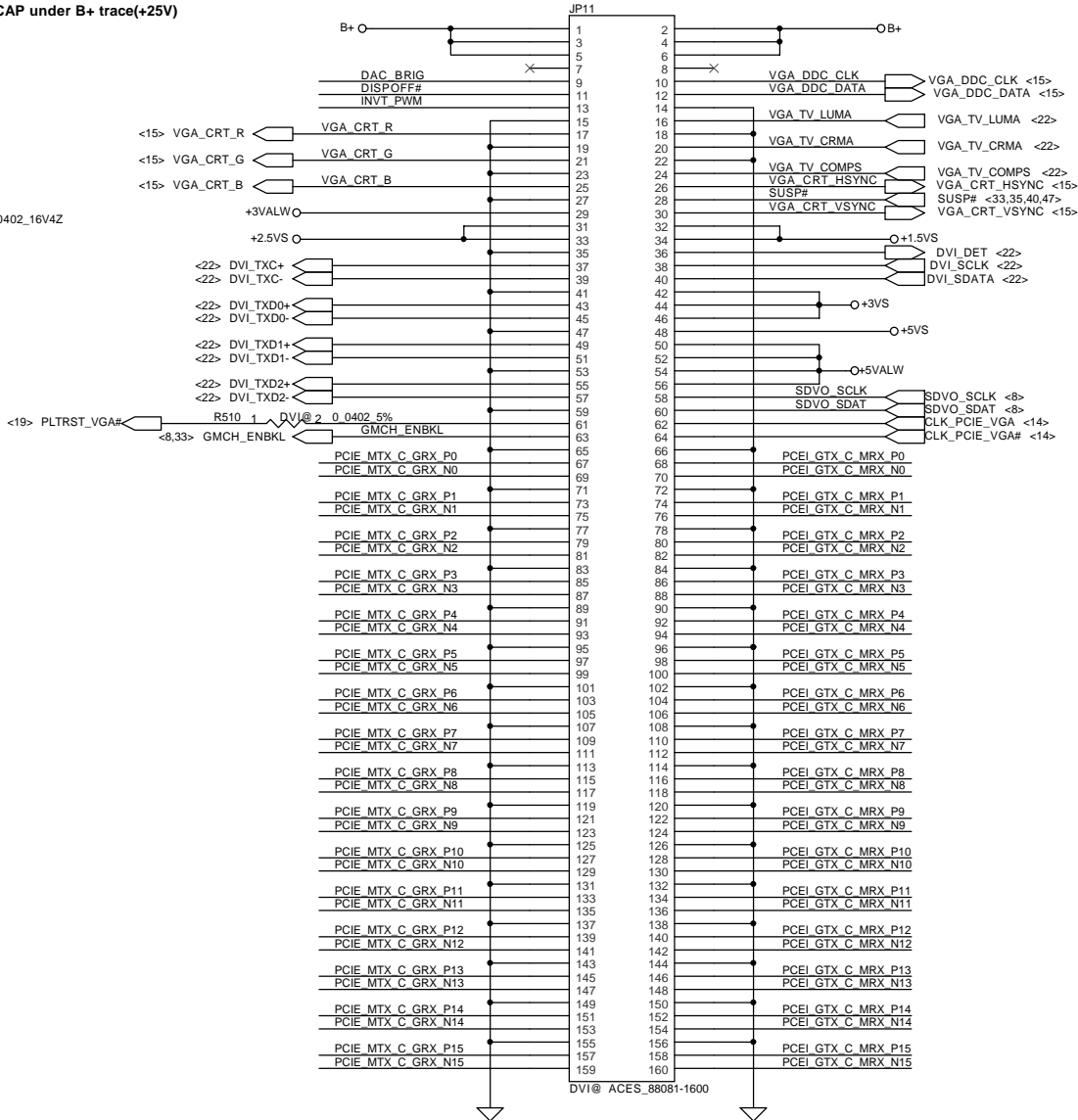
Compal Electronics, Inc.		
Title SCHEMATIC, M/B LA-2601		
Size	Document Number 401336	Rev C
Date:	~P期间, 三月 17, 2005	Sheet 15 of 51

THIS SHEET OF ENGINEERING DRAWING IS THE PROPRIETARY PROPERTY OF COMPAL ELECTRONICS, INC. AND CONTAINS CONFIDENTIAL AND TRADE SECRET INFORMATION. THIS SHEET MAY NOT BE TRANSFERRED FROM THE CUSTODY OF THE COMPETENT DIVISION OF R&D DEPARTMENT EXCEPT AS AUTHORIZED BY COMPAL ELECTRONICS, INC. NEITHER THIS SHEET NOR THE INFORMATION IT CONTAINS MAY BE USED BY OR DISCLOSED TO ANY THIRD PARTY WITHOUT PRIOR WRITTEN CONSENT OF COMPAL ELECTRONICS, INC.

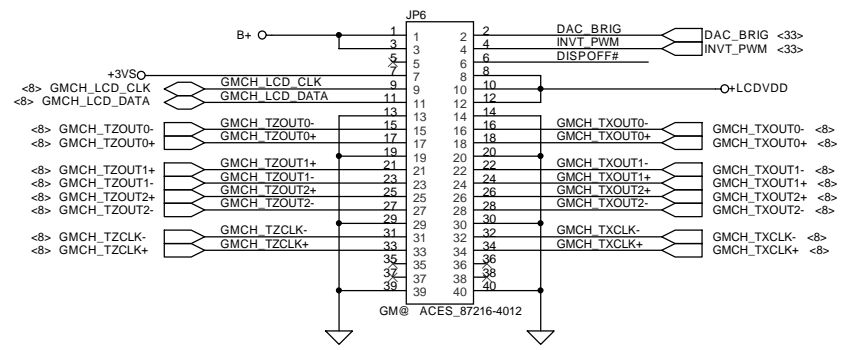
LCD POWER CIRCUIT



VGA BOARD Conn.

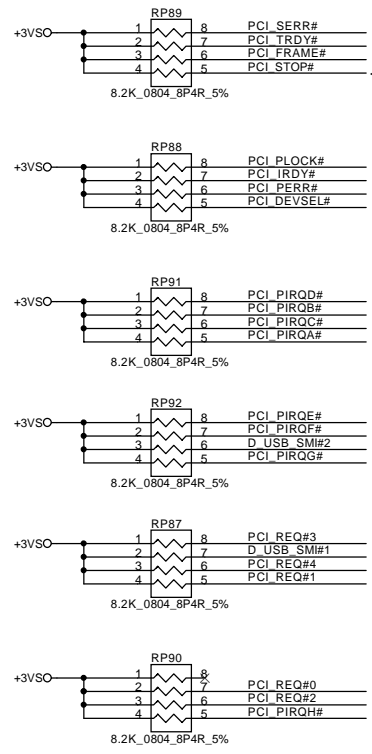


LCD/PANEL BD. Conn.



Compal Electronics, Inc.		
Title SCHEMATIC, M/B LA-2601		
Size	Document Number 401336	Rev C
Date:	~P期间, 三月 17, 2005	Sheet 16 of 51

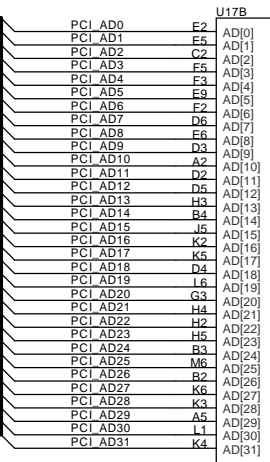
THIS SHEET OF ENGINEERING DRAWING IS THE PROPRIETARY PROPERTY OF COMPAL ELECTRONICS, INC. AND CONTAINS CONFIDENTIAL AND TRADE SECRET INFORMATION. THIS SHEET MAY NOT BE TRANSFERRED FROM THE CUSTODY OF THE COMPETENT DIVISION OF R&D DEPARTMENT EXCEPT AS AUTHORIZED BY COMPAL ELECTRONICS, INC. NEITHER THIS SHEET NOR THE INFORMATION IT CONTAINS MAY BE USED BY OR DISCLOSED TO ANY THIRD PARTY WITHOUT PRIOR WRITTEN CONSENT OF COMPAL ELECTRONICS, INC.



<23,25,26,28> PCI_AD[0..31]

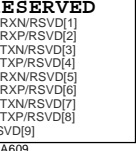
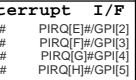
<23,25,26,28> PCI_FRAME#

<23> PCI_PIRQA#
<23> PCI_PIRQB#

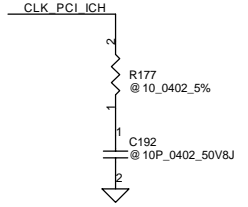
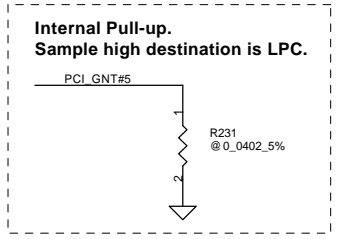


PCI_FRAME# J3

PCI_PIRQA# N2
PCI_PIRQB# L2
PCI_PIRQC# M1
PCI_PIRQD# L3

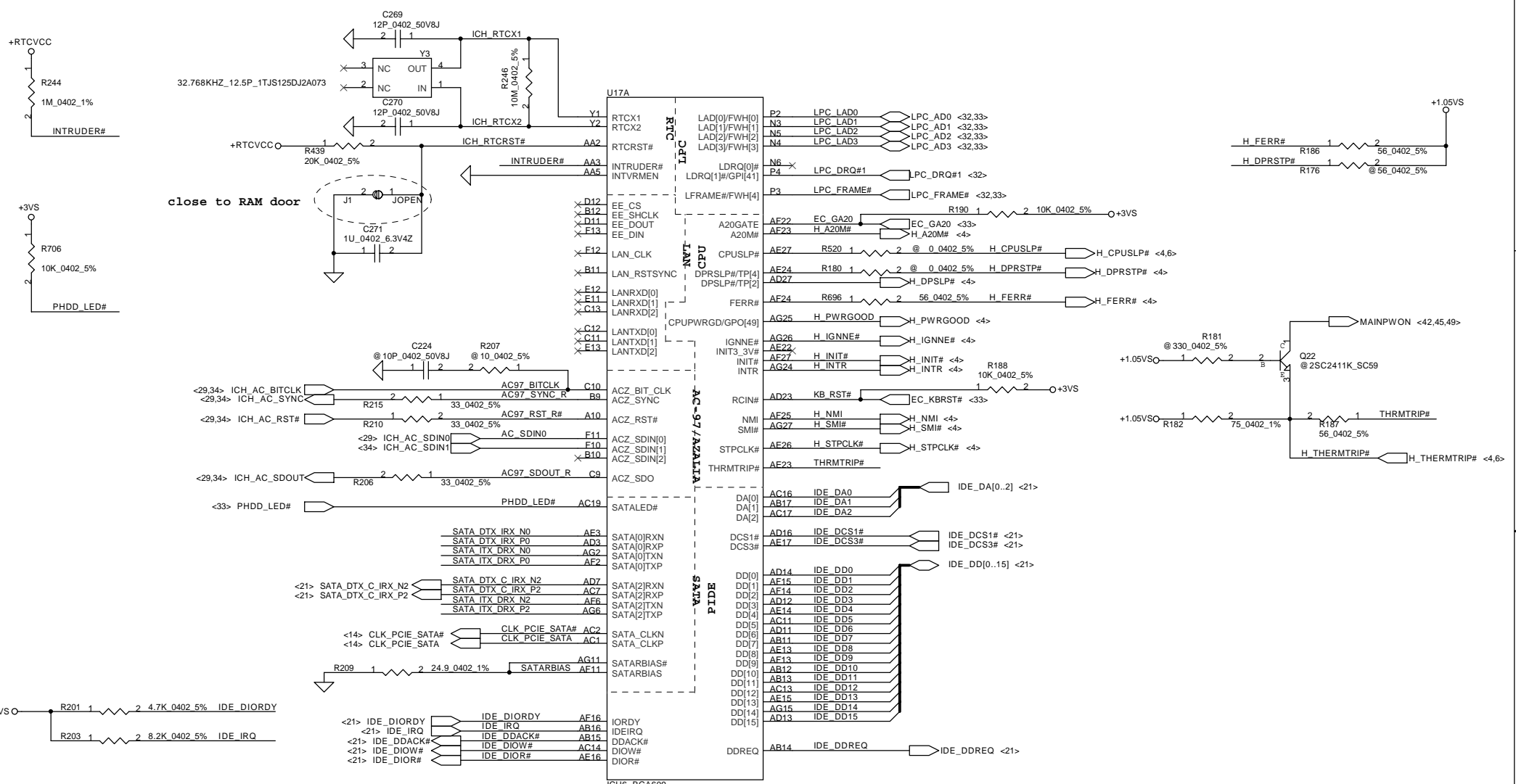


ICH6_BGA609

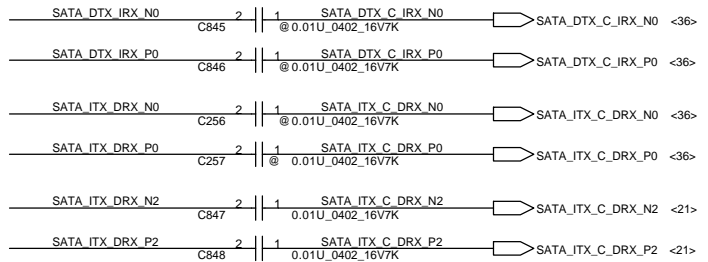


Compal Electronics, Inc.		
Title: SCHEMATIC, M/B LA-2601		
Size:	Document Number: 401336	Rev: C
Date: ~P 星期四, 三月 17, 2005	Sheet: 17	of 51

THIS SHEET OF ENGINEERING DRAWING IS THE PROPRIETARY PROPERTY OF COMPAL ELECTRONICS, INC. AND CONTAINS CONFIDENTIAL AND TRADE SECRET INFORMATION. THIS SHEET MAY NOT BE TRANSFERRED FROM THE CUSTODY OF THE COMPETENT DIVISION OF R&D DEPARTMENT EXCEPT AS AUTHORIZED BY COMPAL ELECTRONICS, INC. NEITHER THIS SHEET NOR THE INFORMATION IT CONTAINS MAY BE USED BY OR DISCLOSED TO ANY THIRD PARTY WITHOUT PRIOR WRITTEN CONSENT OF COMPAL ELECTRONICS, INC.

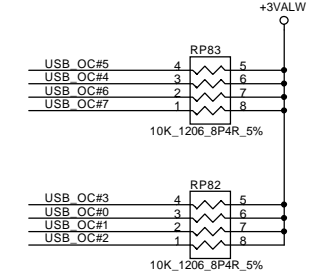
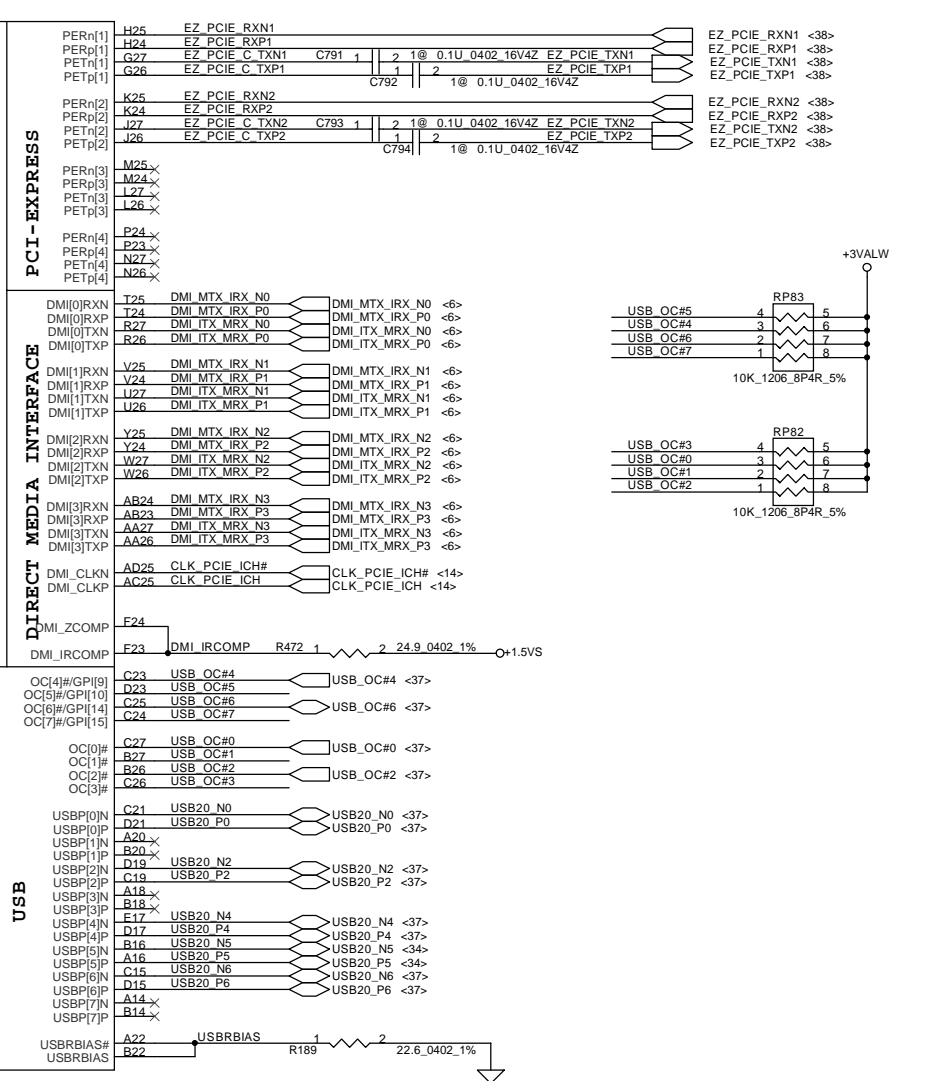
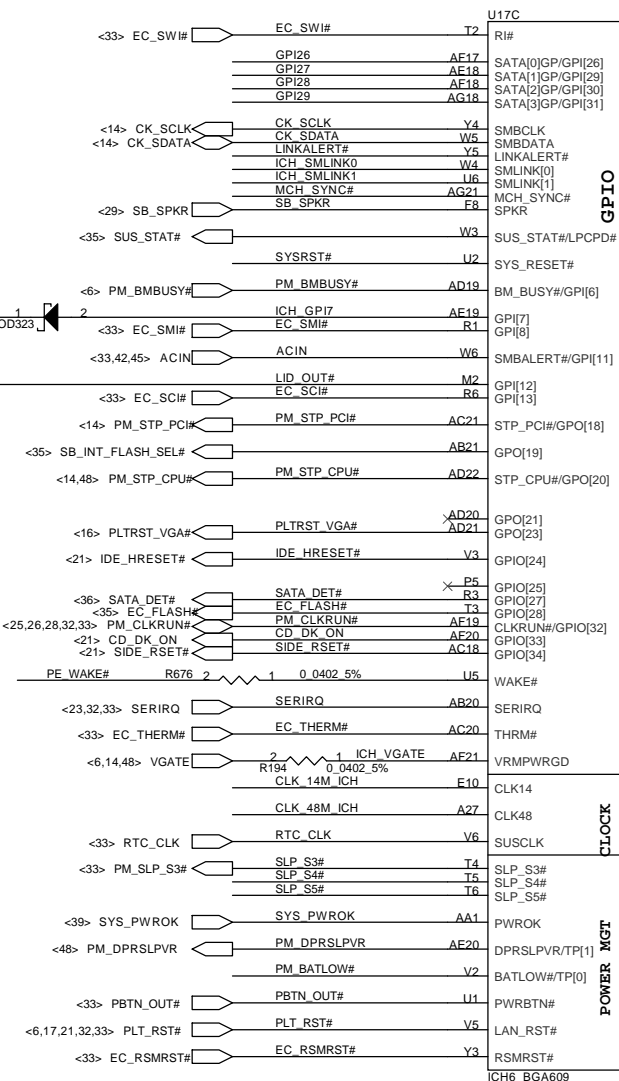
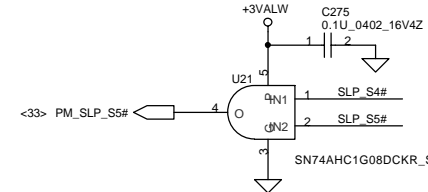
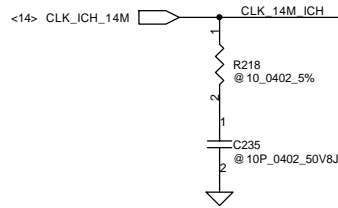
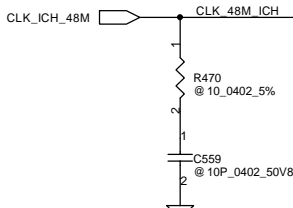
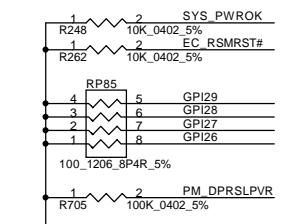
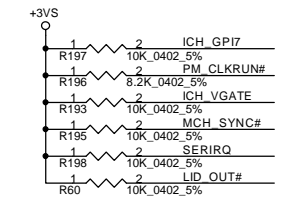
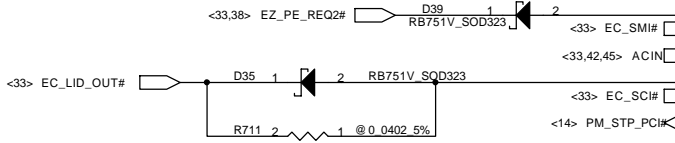
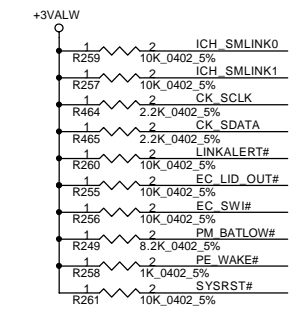


Place near ICH6 side.



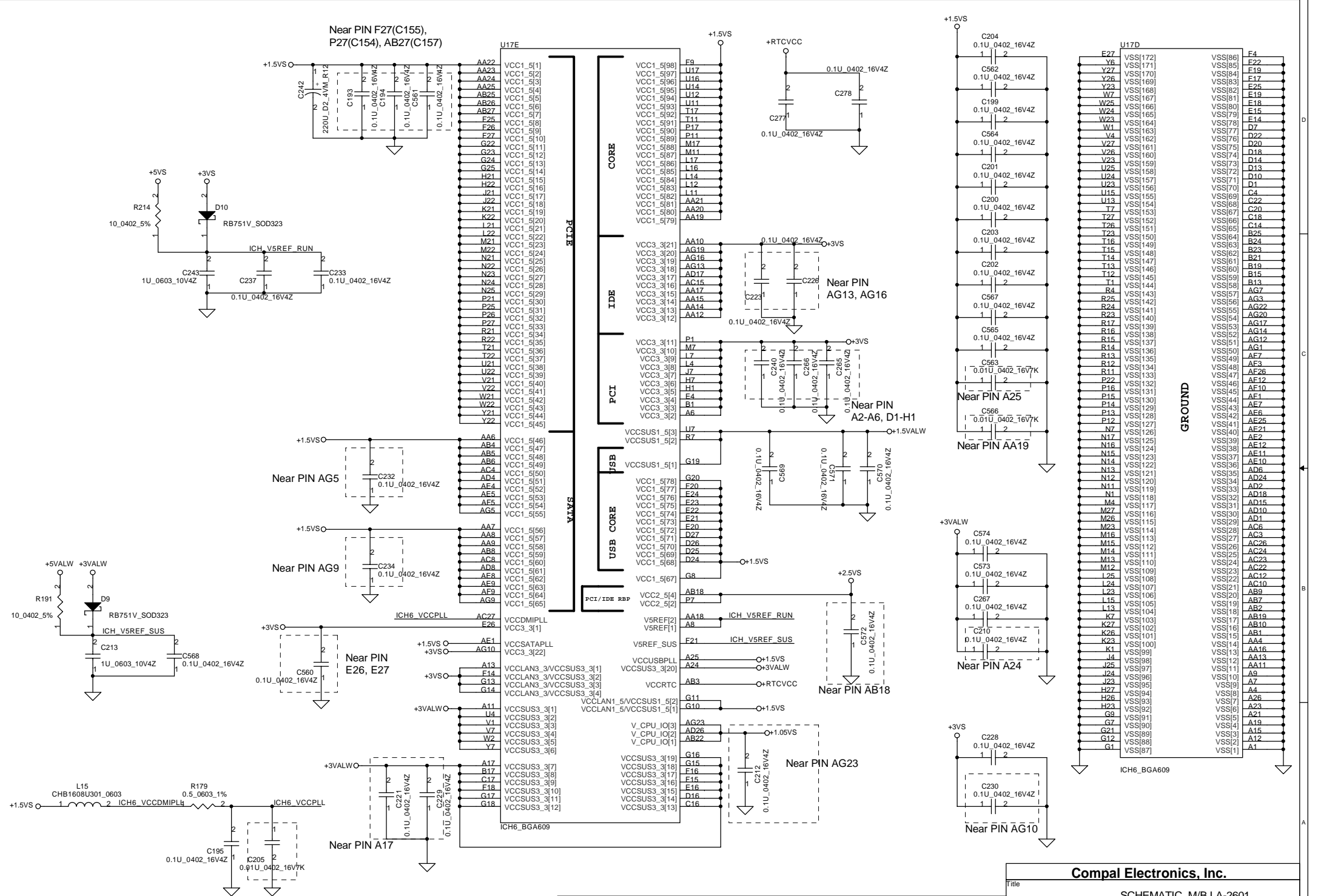
THIS SHEET OF ENGINEERING DRAWING IS THE PROPRIETARY PROPERTY OF COMPAL ELECTRONICS, INC. AND CONTAINS CONFIDENTIAL AND TRADE SECRET INFORMATION. THIS SHEET MAY NOT BE TRANSFERRED FROM THE CUSTODY OF THE COMPETENT DIVISION OF R&D DEPARTMENT EXCEPT AS AUTHORIZED BY COMPAL ELECTRONICS, INC. NEITHER THIS SHEET NOR THE INFORMATION IT CONTAINS MAY BE USED BY OR DISCLOSED TO ANY THIRD PARTY WITHOUT PRIOR WRITTEN CONSENT OF COMPAL ELECTRONICS, INC.

Compal Electronics, Inc.			
Title			
SCHEMATIC, M/B LA-2601			
Size	Document Number	Rev	
	401336	C	
Date:	~P期间, 三月 17, 2005	Sheet	18 of 51



Compal Electronics, Inc.		
Title SCHEMATIC, M/B LA-2601		
Size	Document Number 401336	Rev C
Date	~P期间, 三月 17, 2005	
	Sheet	19 of 51

THIS SHEET OF ENGINEERING DRAWING IS THE PROPRIETARY PROPERTY OF COMPAL ELECTRONICS, INC. AND CONTAINS CONFIDENTIAL AND TRADE SECRET INFORMATION. THIS SHEET MAY NOT BE TRANSFERRED FROM THE CUSTODY OF THE COMPETENT DIVISION OF R&D DEPARTMENT EXCEPT AS AUTHORIZED BY COMPAL ELECTRONICS, INC. NEITHER THIS SHEET NOR THE INFORMATION IT CONTAINS MAY BE USED BY OR DISCLOSED TO ANY THIRD PARTY WITHOUT PRIOR WRITTEN CONSENT OF COMPAL ELECTRONICS, INC.



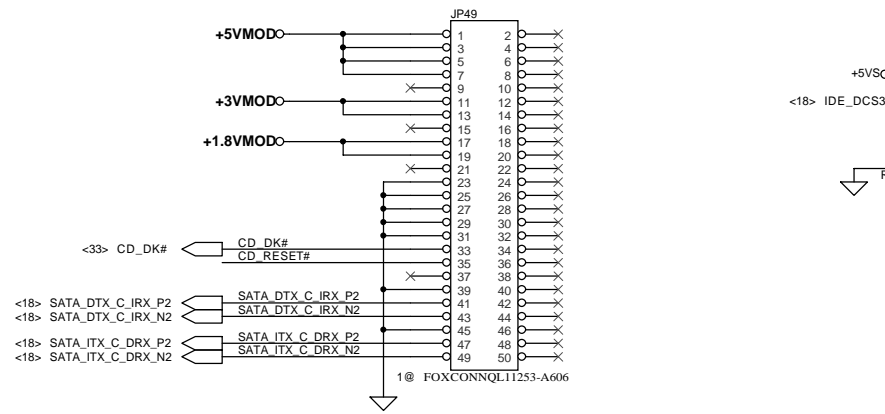
THIS SHEET OF ENGINEERING DRAWING IS THE PROPRIETARY PROPERTY OF COMPAL ELECTRONICS, INC. AND CONTAINS CONFIDENTIAL AND TRADE SECRET INFORMATION. THIS SHEET MAY NOT BE TRANSFERRED FROM THE CUSTODY OF THE COMPETENT DIVISION OF R&D DEPARTMENT EXCEPT AS AUTHORIZED BY COMPAL ELECTRONICS, INC. NEITHER THIS SHEET NOR THE INFORMATION IT CONTAINS MAY BE USED BY OR DISCLOSED TO ANY THIRD PARTY WITHOUT PRIOR WRITTEN CONSENT OF COMPAL ELECTRONICS, INC.

Title		
SCHEMATIC, M/B LA-2601		
Size	Document Number	Rev
	401336	C
Date:	~P開期, 三月 17, 2005	Sheet 20 of 51

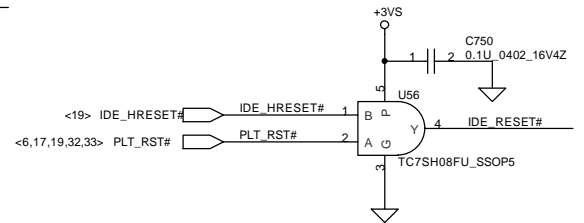
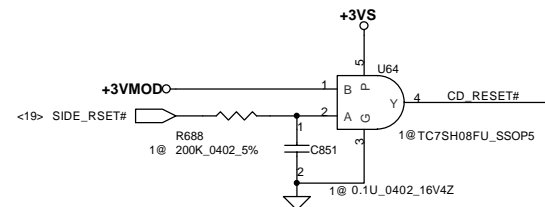
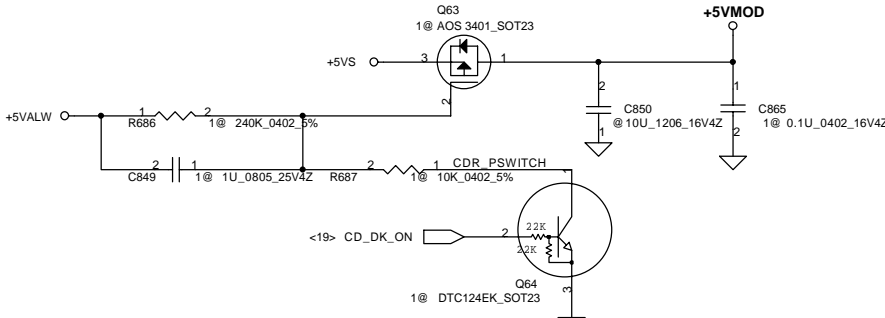
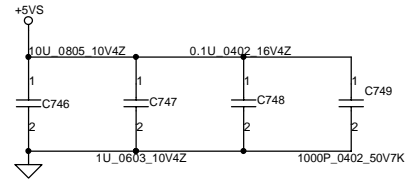
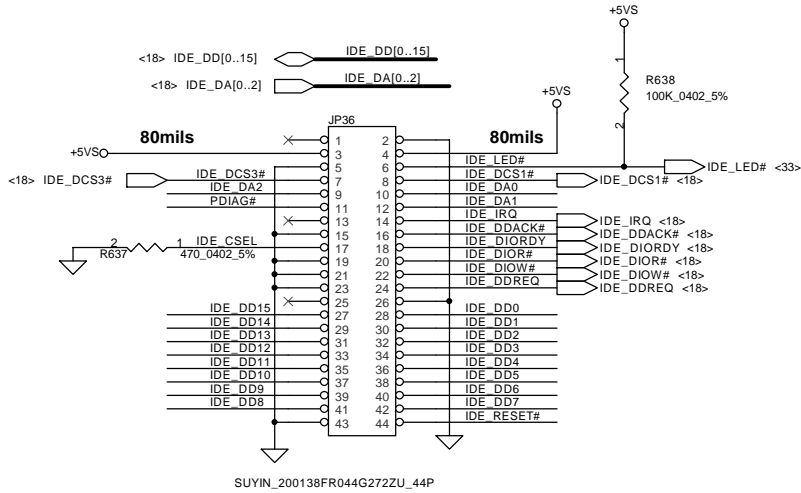
Compal Electronics, Inc.

401336

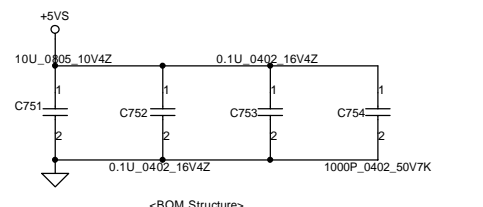
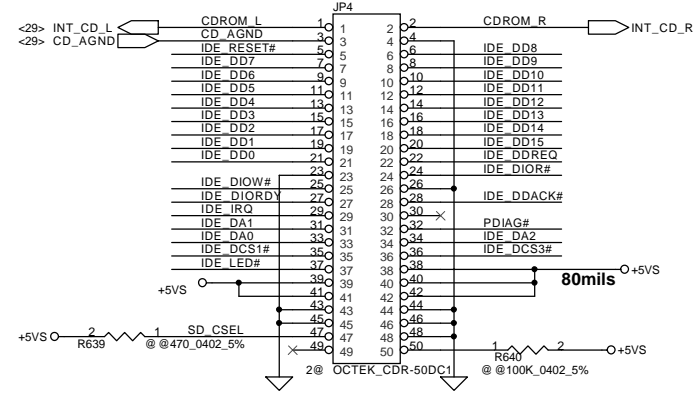
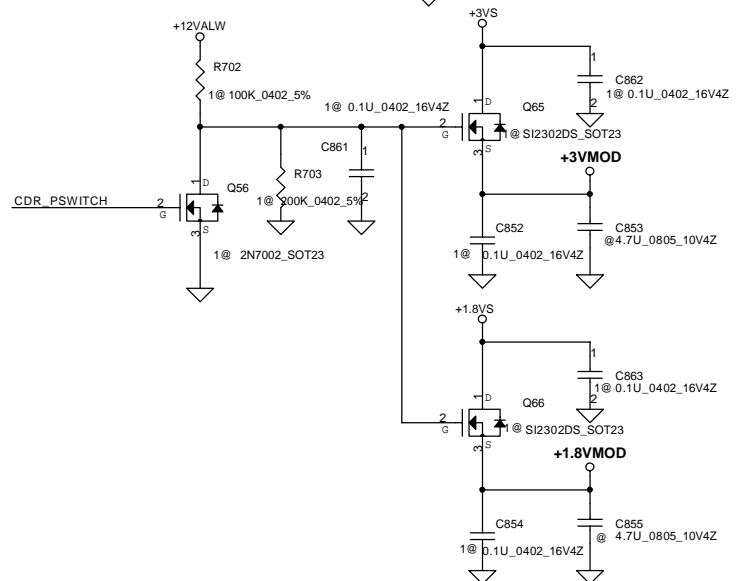
HOT CDROM CONN(DCL55)



HDD CONN

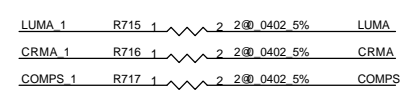
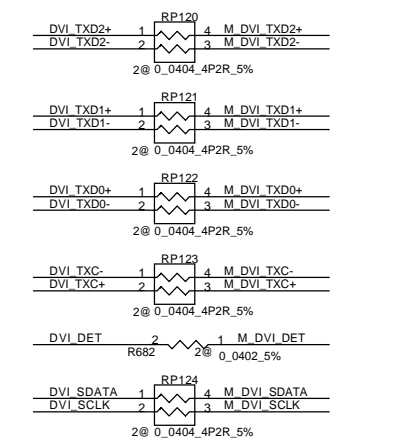
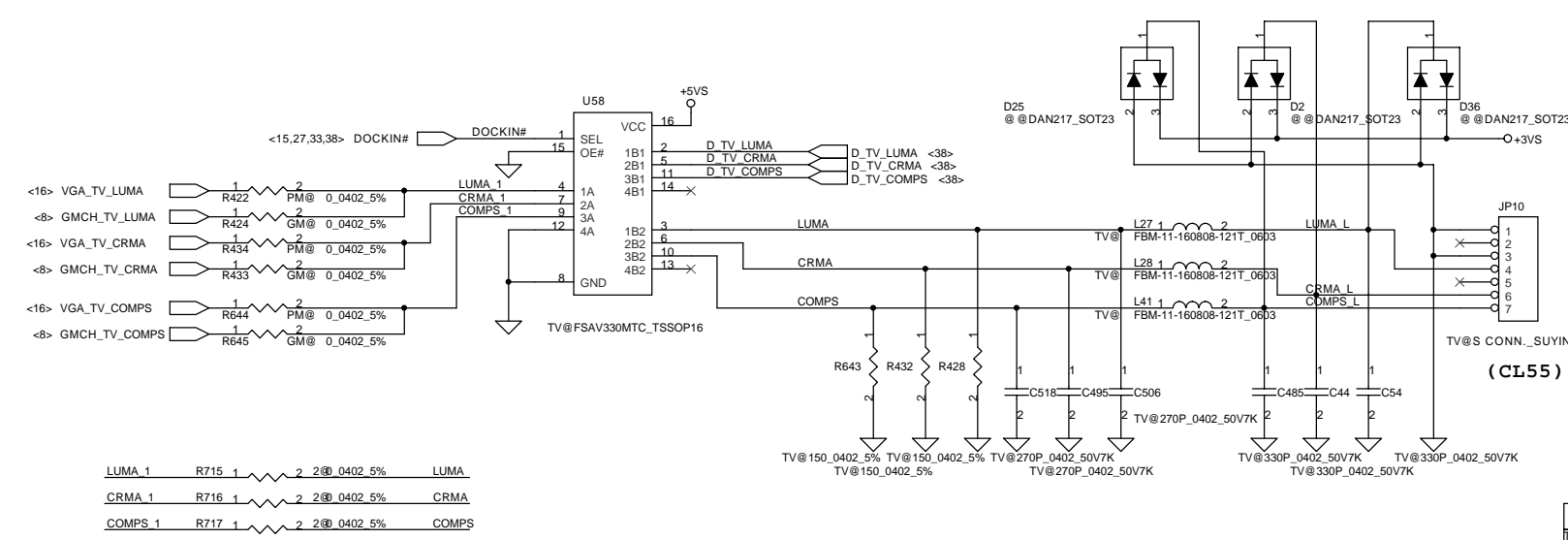
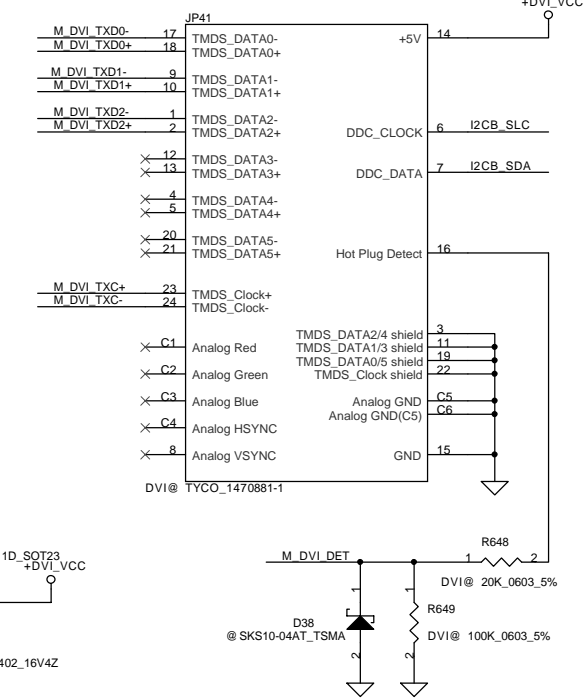
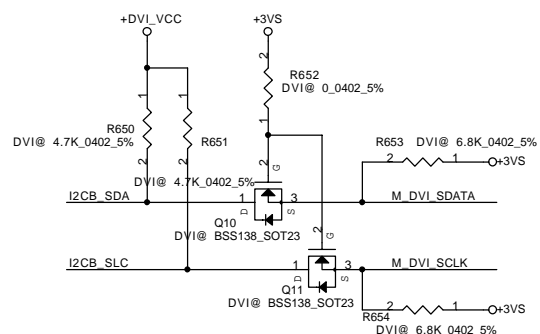
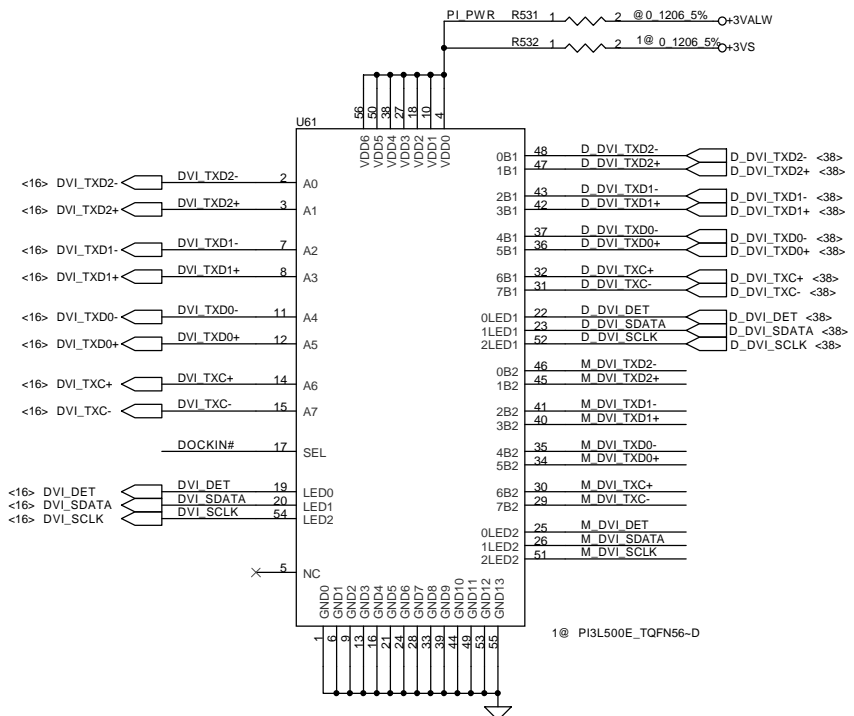


CDROM CONN



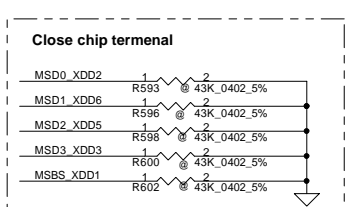
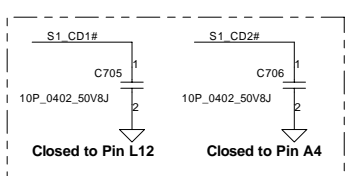
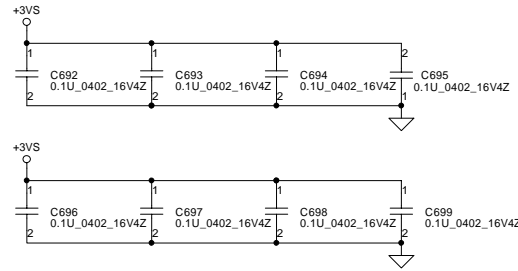
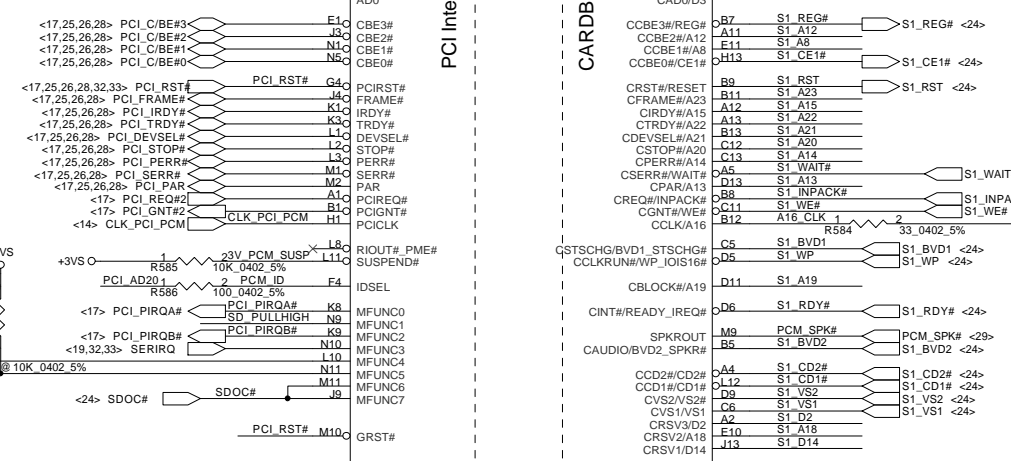
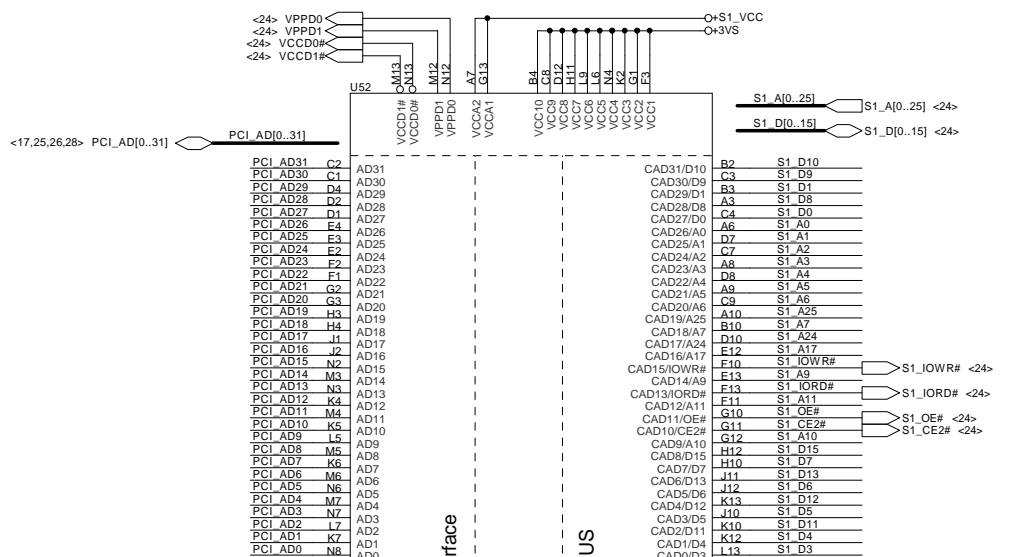
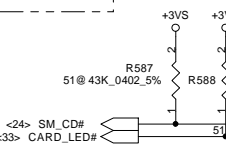
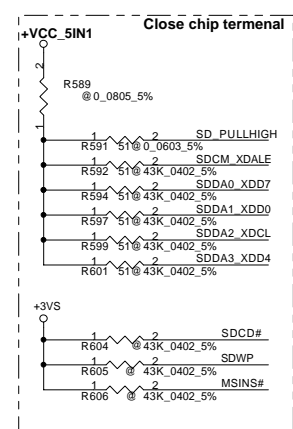
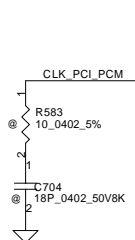
THIS SHEET OF ENGINEERING DRAWING IS THE PROPRIETARY PROPERTY OF COMPAL ELECTRONICS, INC. AND CONTAINS CONFIDENTIAL AND TRADE SECRET INFORMATION. THIS SHEET MAY NOT BE TRANSFERRED FROM THE CUSTODY OF THE COMPETENT DIVISION OF R&D DEPARTMENT EXCEPT AS AUTHORIZED BY COMPAL ELECTRONICS, INC. NEITHER THIS SHEET NOR THE INFORMATION IT CONTAINS MAY BE USED BY OR DISCLOSED TO ANY THIRD PARTY WITHOUT PRIOR WRITTEN CONSENT OF COMPAL ELECTRONICS, INC.

Compal Electronics, Inc.	
Title SCHEMATIC, M/B LA-2601	
Size	Document Number 401336
Date	Rev C
Date: ~P期间, 三月 17, 2005 Sheet 21 of 51	

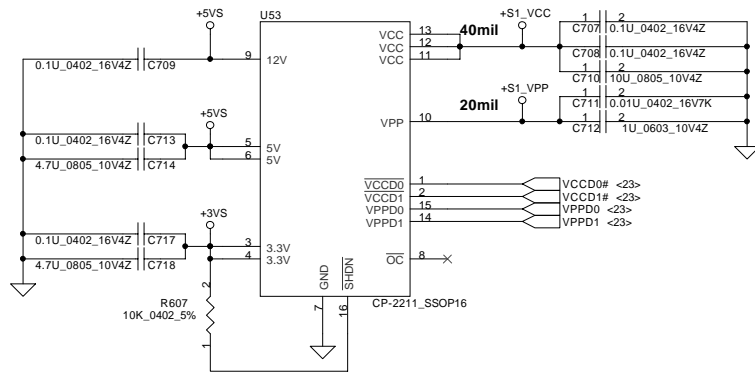


Compal Electronics, Inc.		
Title SCHEMATIC, M/B LA-2601		
Size	Document Number 401336	Rev C
Date: ~P期间, 三月 17, 2005	Sheet 22	of 51

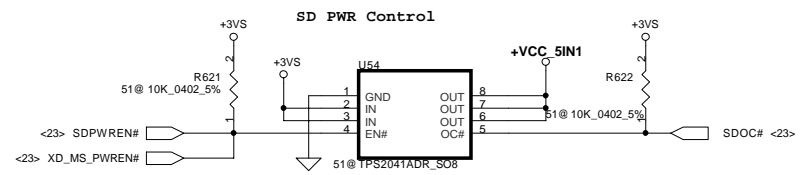
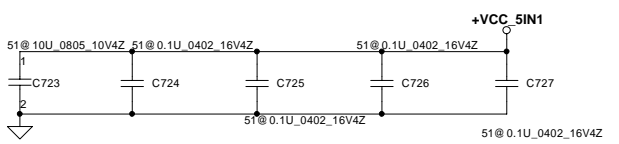
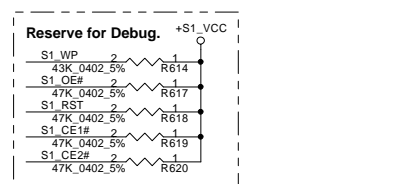
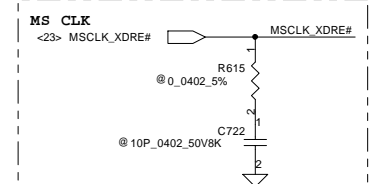
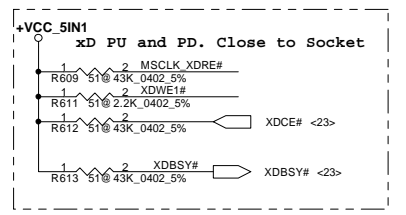
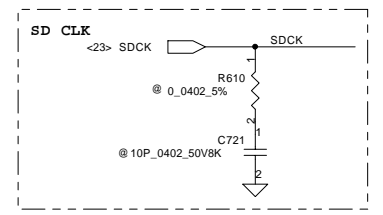
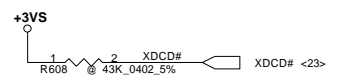
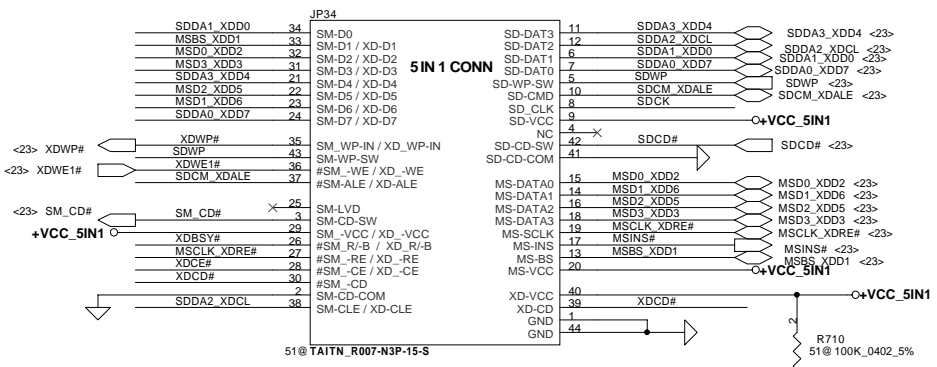
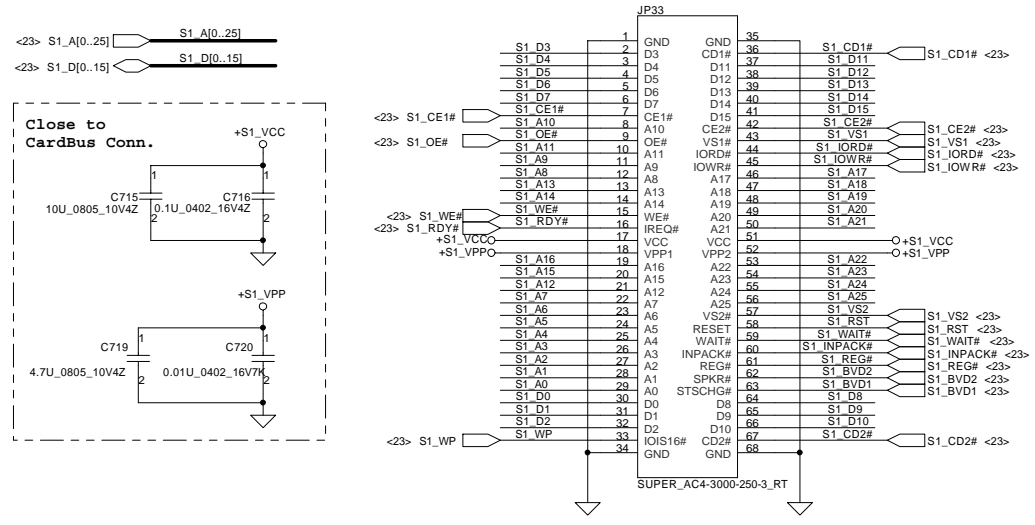
THIS SHEET OF ENGINEERING DRAWING IS THE PROPRIETARY PROPERTY OF COMPAL ELECTRONICS, INC. AND CONTAINS CONFIDENTIAL AND TRADE SECRET INFORMATION. THIS SHEET MAY NOT BE TRANSFERRED FROM THE CUSTODY OF THE COMPETENT DIVISION OF R&D DEPARTMENT EXCEPT AS AUTHORIZED BY COMPAL ELECTRONICS, INC. NEITHER THIS SHEET NOR THE INFORMATION IT CONTAINS MAY BE USED BY OR DISCLOSED TO ANY THIRD PARTY WITHOUT PRIOR WRITTEN CONSENT OF COMPAL ELECTRONICS, INC.



PCMCIA Power Controller



CardBus Socket



THIS SHEET OF ENGINEERING DRAWING IS THE PROPRIETARY PROPERTY OF COMPAL ELECTRONICS, INC. AND CONTAINS CONFIDENTIAL AND TRADE SECRET INFORMATION. THIS SHEET MAY NOT BE TRANSFERRED FROM THE CUSTODY OF THE COMPETENT DIVISION OF R&D DEPARTMENT EXCEPT AS AUTHORIZED BY COMPAL ELECTRONICS, INC. NEITHER THIS SHEET NOR THE INFORMATION IT CONTAINS MAY BE USED BY OR DISCLOSED TO ANY THIRD PARTY WITHOUT PRIOR WRITTEN CONSENT OF COMPAL ELECTRONICS, INC.

Compal Electronics, Inc.			
Title SCHEMATIC, M/B LA-2601			
Size Custom	Document Number 401336	Rev C	
Date 星期三, 三月 17, 2005	Sheet 24	of 51	

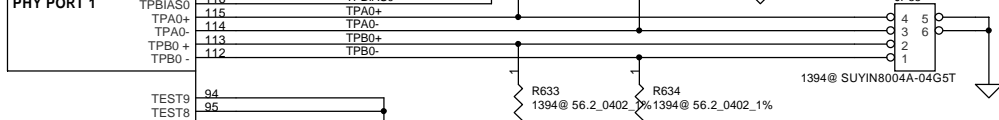
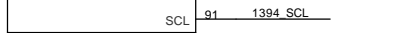
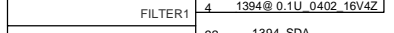
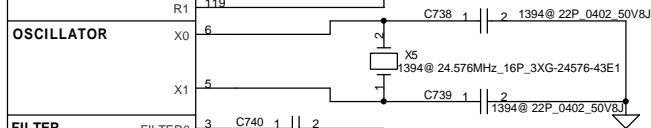
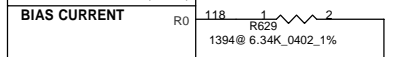
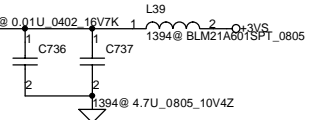
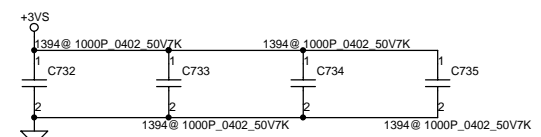
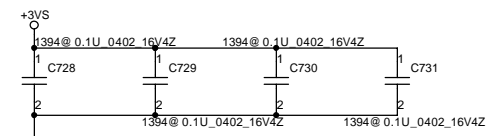
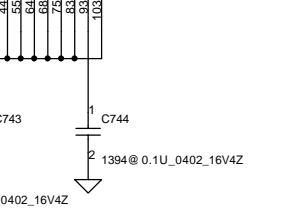
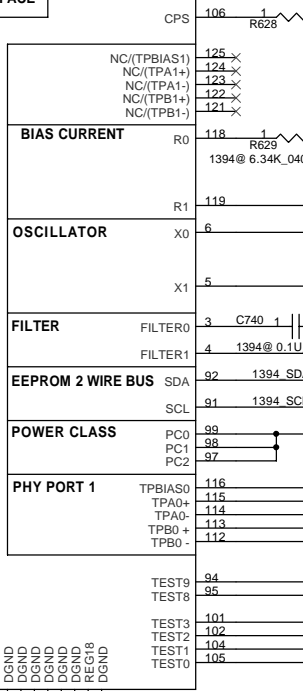
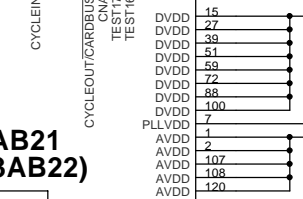
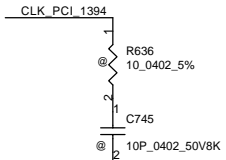
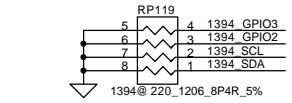
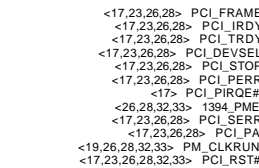
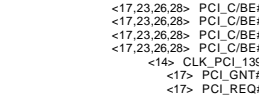


**TSB43AB21
(TSB43AB22)**

PCI BUS INTERFACE

PCI_AD0	84	PCI_AD0	
PCI_AD1	82	PCI_AD1	
PCI_AD2	81	PCI_AD2	
PCI_AD3	80	PCI_AD3	
PCI_AD4	79	PCI_AD4	
PCI_AD5	77	PCI_AD5	
PCI_AD6	76	PCI_AD6	
PCI_AD7	74	PCI_AD7	
PCI_AD8	71	PCI_AD8	
PCI_AD9	70	PCI_AD9	
PCI_AD10	69	PCI_AD10	
PCI_AD11	67	PCI_AD11	
PCI_AD12	66	PCI_AD12	
PCI_AD13	63	PCI_AD13	
PCI_AD14	61	PCI_AD14	
PCI_AD15	61	PCI_AD15	
PCI_AD16	46	PCI_AD16	
PCI_AD17	45	PCI_AD17	
PCI_AD18	43	PCI_AD18	
PCI_AD19	42	PCI_AD19	
PCI_AD20	41	PCI_AD20	
PCI_AD21	40	PCI_AD21	
PCI_AD22	38	PCI_AD22	
PCI_AD23	37	PCI_AD23	
PCI_AD24	32	PCI_AD24	
PCI_AD25	31	PCI_AD25	
PCI_AD26	29	PCI_AD26	
PCI_AD27	28	PCI_AD27	
PCI_AD28	26	PCI_AD28	
PCI_AD29	25	PCI_AD29	
PCI_AD30	24	PCI_AD30	
PCI_AD31	22	PCI_AD31	
PCI_C/BE#3	34	PCI_C/BE#3	
PCI_C/BE#2	47	PCI_C/BE#2	
PCI_C/BE#1	60	PCI_C/BE#1	
PCI_C/BE#0	73	PCI_C/BE#0	
CLK_PCI	1394	16	PCI_CLK
PCI_GNT#0	18	PCI_GNT	
PCI_REQ#0	19	PCI_REQ	
1394 IDSEL	36	PCI_IDSEL	
PCI_FRAME#	49	PCI_FRAME	
PCI_IRDY#	50	PCI_IRDY	
PCI_TRDY#	52	PCI_TRDY	
PCI_DEVSEL#	53	PCI_DEVSEL	
PCI_STOP#	54	PCI_STOP	
PCI_PERR#	56	PCI_PERR	
PCI_PIRQE#	56	PCI_PERR	
1394 PME#	21	PCI_INTA/CINT	
PCI_SERR#	57	PCI_PME/CSTSCHG	
PCI_SERR	57	PCI_SERR	
PCI_PAR	58	PCI_PAR	
PM_CLKRUN#	12	PCI_CLKRUN	
PCI_RST#	85	PCI_RST	

IDSEL:PCI_AD16



(CL56)

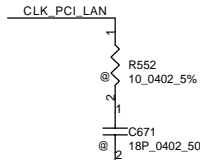
<p>THIS SHEET OF ENGINEERING DRAWING IS THE PROPRIETARY PROPERTY OF COMPAL ELECTRONICS, INC. AND CONTAINS CONFIDENTIAL AND TRADE SECRET INFORMATION. THIS SHEET MAY NOT BE TRANSFERRED FROM THE CUSTODY OF THE COMPETENT DIVISION OF R&D DEPARTMENT EXCEPT AS AUTHORIZED BY COMPAL ELECTRONICS, INC. NEITHER THIS SHEET NOR THE INFORMATION IT CONTAINS MAY BE USED BY OR DISCLOSED TO ANY THIRD PARTY WITHOUT PRIOR WRITTEN CONSENT OF COMPAL ELECTRONICS, INC.</p>		
<p>Compal Electronics, Inc.</p>		
<p>Title SCHMATIC, M/B LA-2601</p>		
Size Custom	Document Number 401336	Rev C
Date: ~P期间, 三月 17, 2005	Sheet 25 of 51	

EN_WOL# = Low,
System can wake on LAN
(keep Low when Power On)

VGS(th) = -0.45V
IDmax = 2.3A

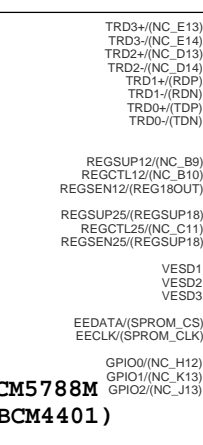
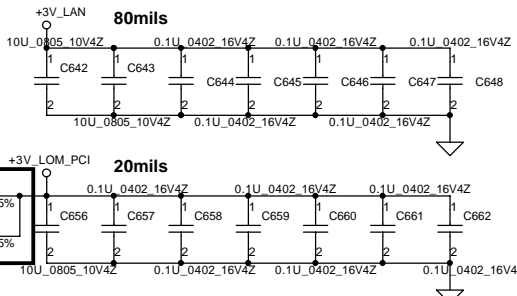
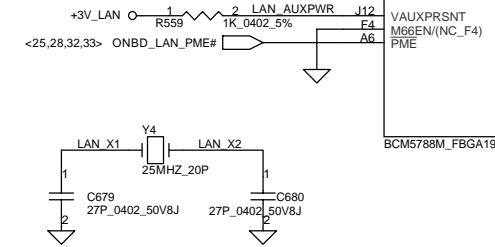
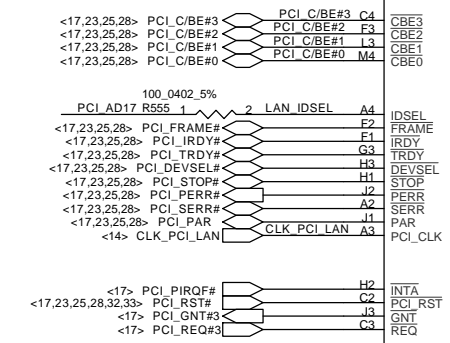
+3VS for BCM5788
+3V_LAN for BCM4401

<17,23,25,28> PCI_AD[0..31]

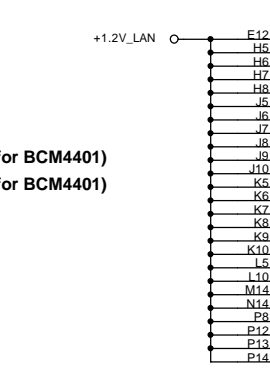
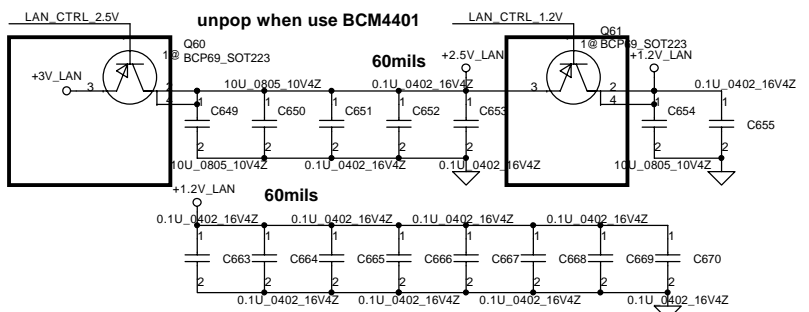
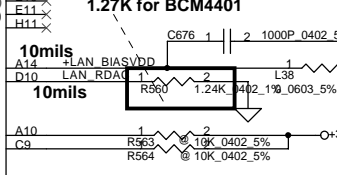
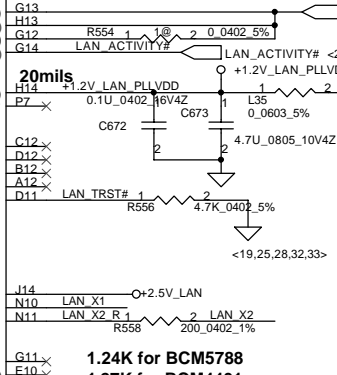
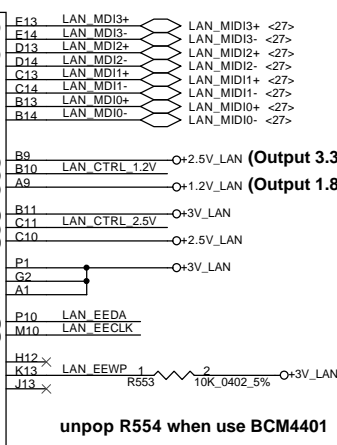


Pin	Signal	Function
PCI_AD31	B8	AD31
PCI_AD30	A8	AD30
PCI_AD29	C7	AD29
PCI_AD28	C6	AD28
PCI_AD27	B6	AD27
PCI_AD26	B5	AD26
PCI_AD25	A5	AD25
PCI_AD24	B4	AD24
PCI_AD23	B4	AD23
PCI_AD22	B1	AD22
PCI_AD21	C1	AD21
PCI_AD20	D3	AD20
PCI_AD19	D2	AD19
PCI_AD18	D1	AD18
PCI_AD17	E3	AD17
PCI_AD16	E3	AD16
PCI_AD15	L2	AD15
PCI_AD14	L1	AD14
PCI_AD13	M3	AD13
PCI_AD12	M2	AD12
PCI_AD11	M1	AD11
PCI_AD10	N2	AD10
PCI_AD9	N3	AD9
PCI_AD8	P3	AD8
PCI_AD7	N4	AD7
PCI_AD6	P4	AD6
PCI_AD5	M5	AD5
PCI_AD4	N5	AD4
PCI_AD3	P5	AD3
PCI_AD2	P6	AD2
PCI_AD1	M7	AD1
PCI_AD0	N7	AD0

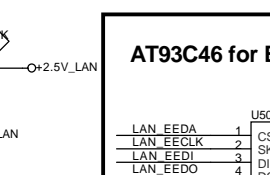
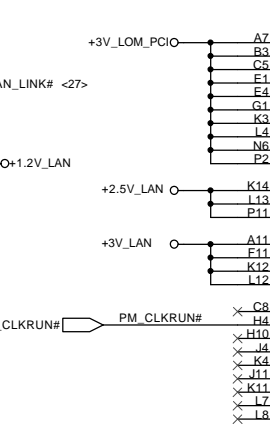
BCM5788M
/(BCM4401)



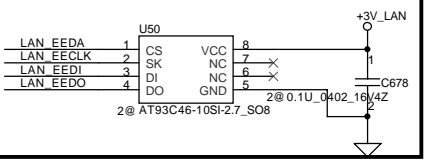
BCM5788M
/(BCM4401)



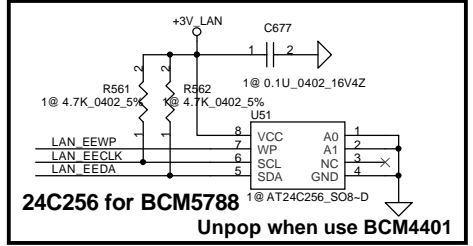
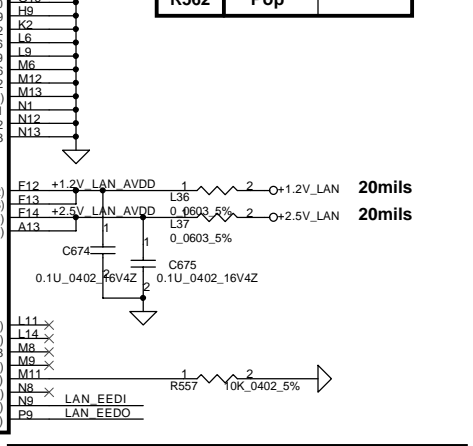
BCM5788M
/(BCM4401)



AT93C46 for BCM4401



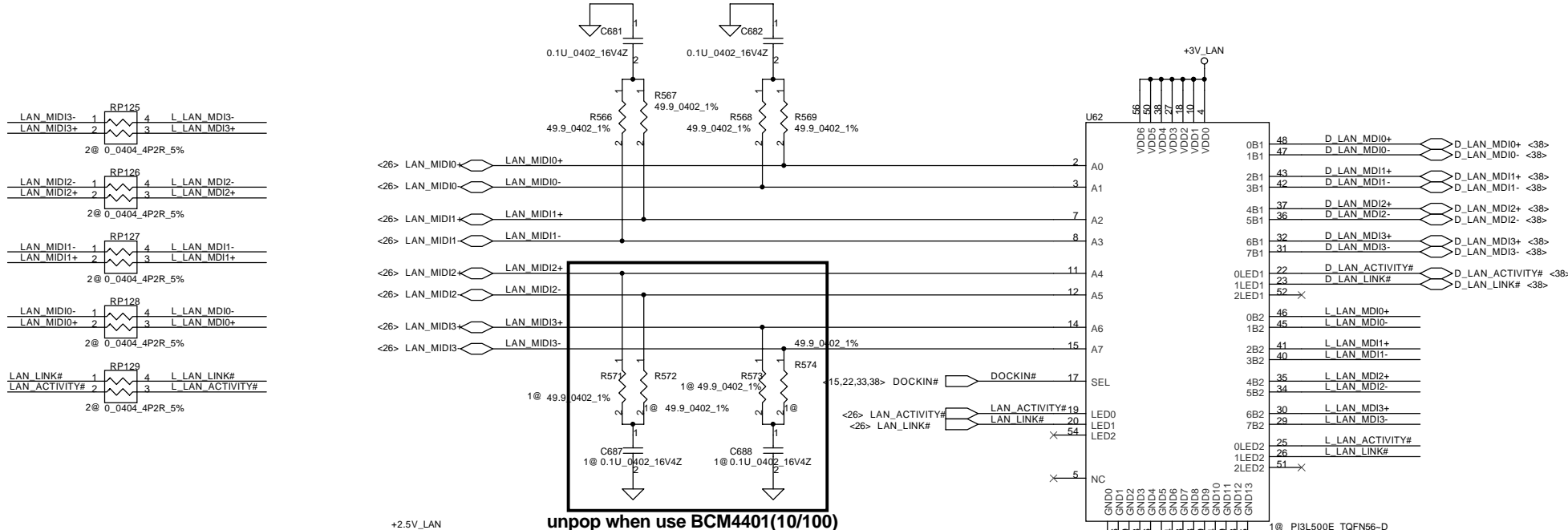
Pin	5788	4401
L33		Pop
L34	Pop	
Q61	Pop	
Q60	Pop	
R560	1.24K	1.27K
U50		Pop
C678		Pop
U51	Pop	
R561	Pop	
C677	Pop	
R562	Pop	



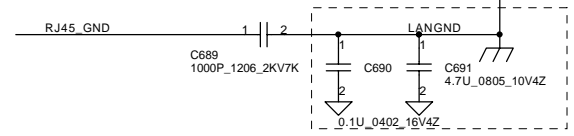
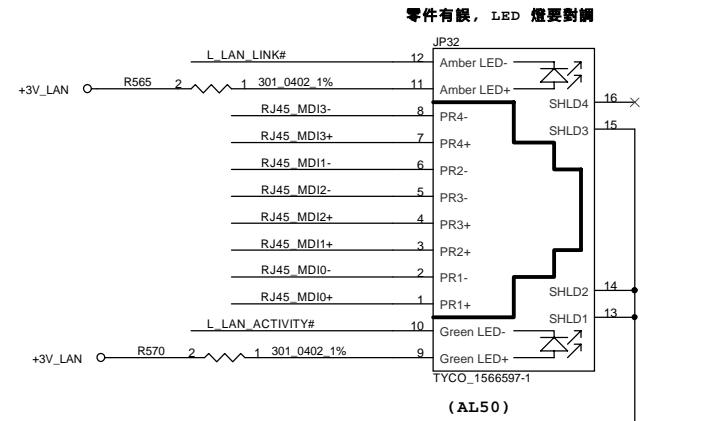
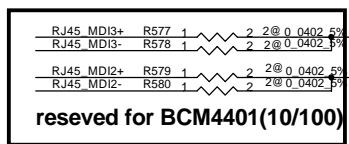
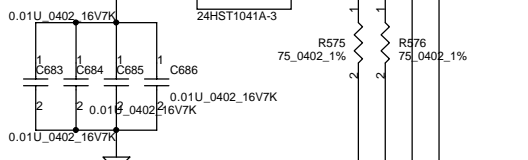
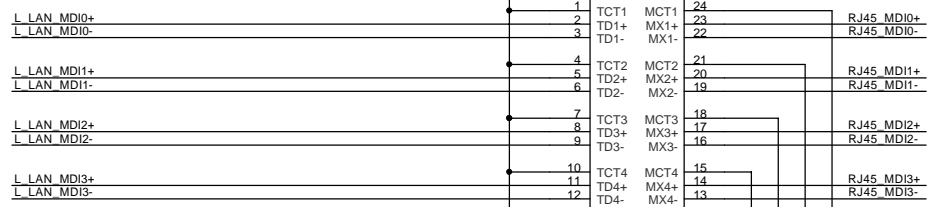
24C256 for BCM5788
Unpop when use BCM4401

Compal Electronics, Inc.		
Title: SCHEMATIC, M/B LA-2601		
Size B	Document Number: 401336	Rev C
Date: ~P期间, 三月 17, 2005	Sheet 26	of 51

THIS SHEET OF ENGINEERING DRAWING IS THE PROPRIETARY PROPERTY OF COMPAL ELECTRONICS, INC. AND CONTAINS CONFIDENTIAL AND TRADE SECRET INFORMATION. THIS SHEET MAY NOT BE TRANSFERRED FROM THE CUSTODY OF THE COMPETENT DIVISION OF R&D DEPARTMENT EXCEPT AS AUTHORIZED BY COMPAL ELECTRONICS, INC. NEITHER THIS SHEET NOR THE INFORMATION IT CONTAINS MAY BE USED BY OR DISCLOSED TO ANY THIRD PARTY WITHOUT PRIOR WRITTEN CONSENT OF COMPAL ELECTRONICS, INC.



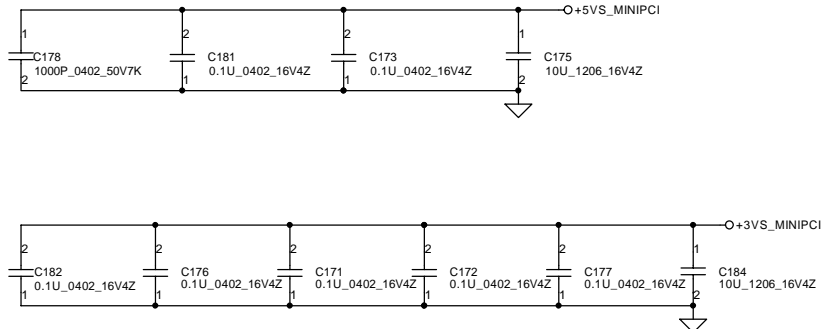
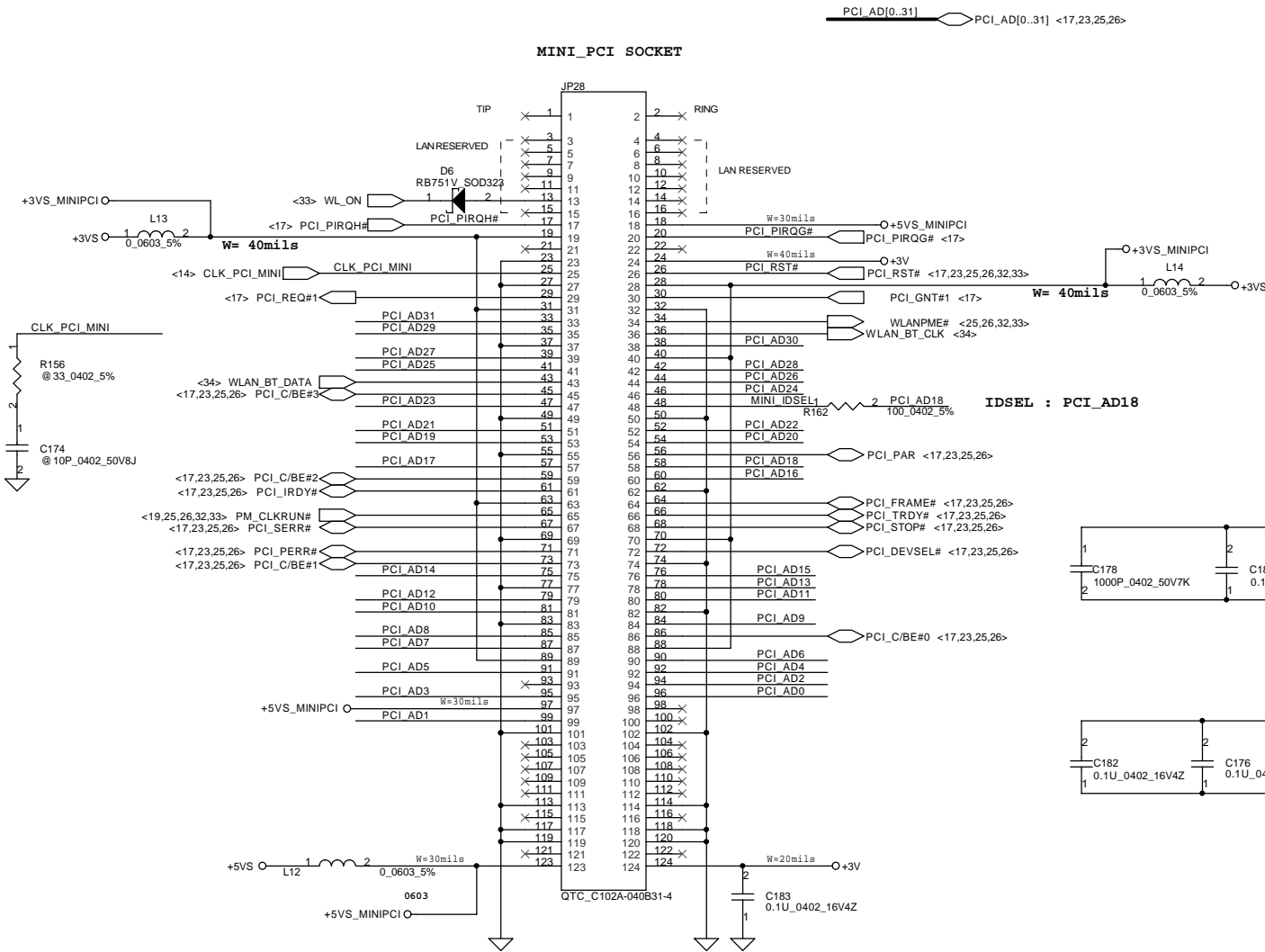
24ST0023-3(SP050004200) for BCM4401(10/100)
 24HST1041A-3(SP050002110) for BCM5788M(GbE)



LAN BCM5788M/BCM4401KFB

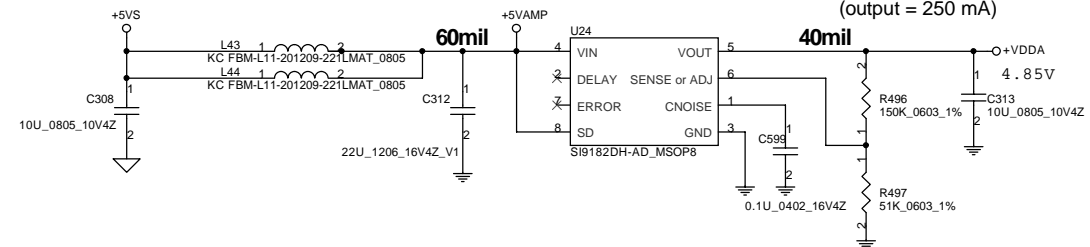
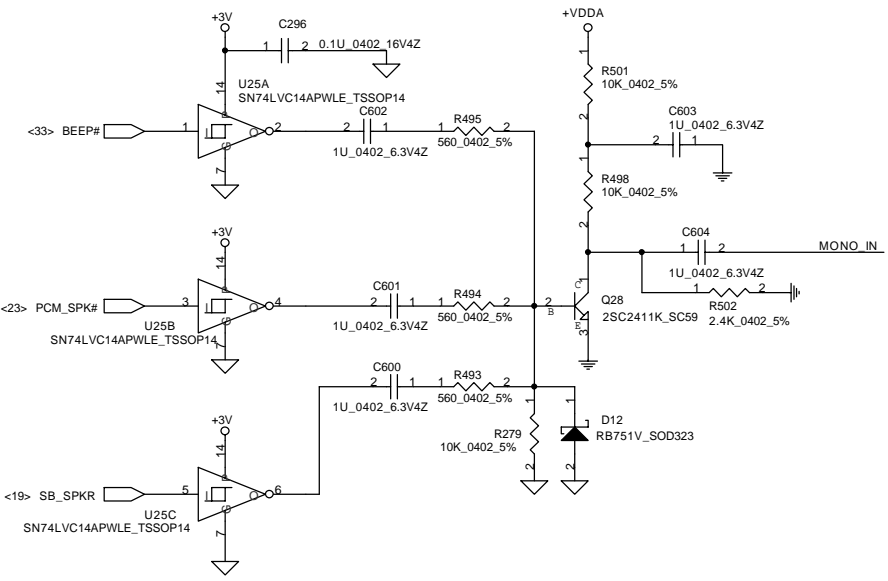
THIS SHEET OF ENGINEERING DRAWING IS THE PROPRIETARY PROPERTY OF COMPAL ELECTRONICS, INC. AND CONTAINS CONFIDENTIAL AND TRADE SECRET INFORMATION. THIS SHEET MAY NOT BE TRANSFERRED FROM THE CUSTODY OF THE COMPETENT DIVISION OF R&D DEPARTMENT EXCEPT AS AUTHORIZED BY COMPAL ELECTRONICS, INC. NEITHER THIS SHEET NOR THE INFORMATION IT CONTAINS MAY BE USED BY OR DISCLOSED TO ANY THIRD PARTY WITHOUT PRIOR WRITTEN CONSENT OF COMPAL ELECTRONICS, INC.

Title			Compal Electronics, Inc.		
Document Number			SCHEMATIC, M/B LA-2601		
Size	401336		Rev	C	
Date:	~P期間, 三月 17, 2005		Sheet	27 of 51	



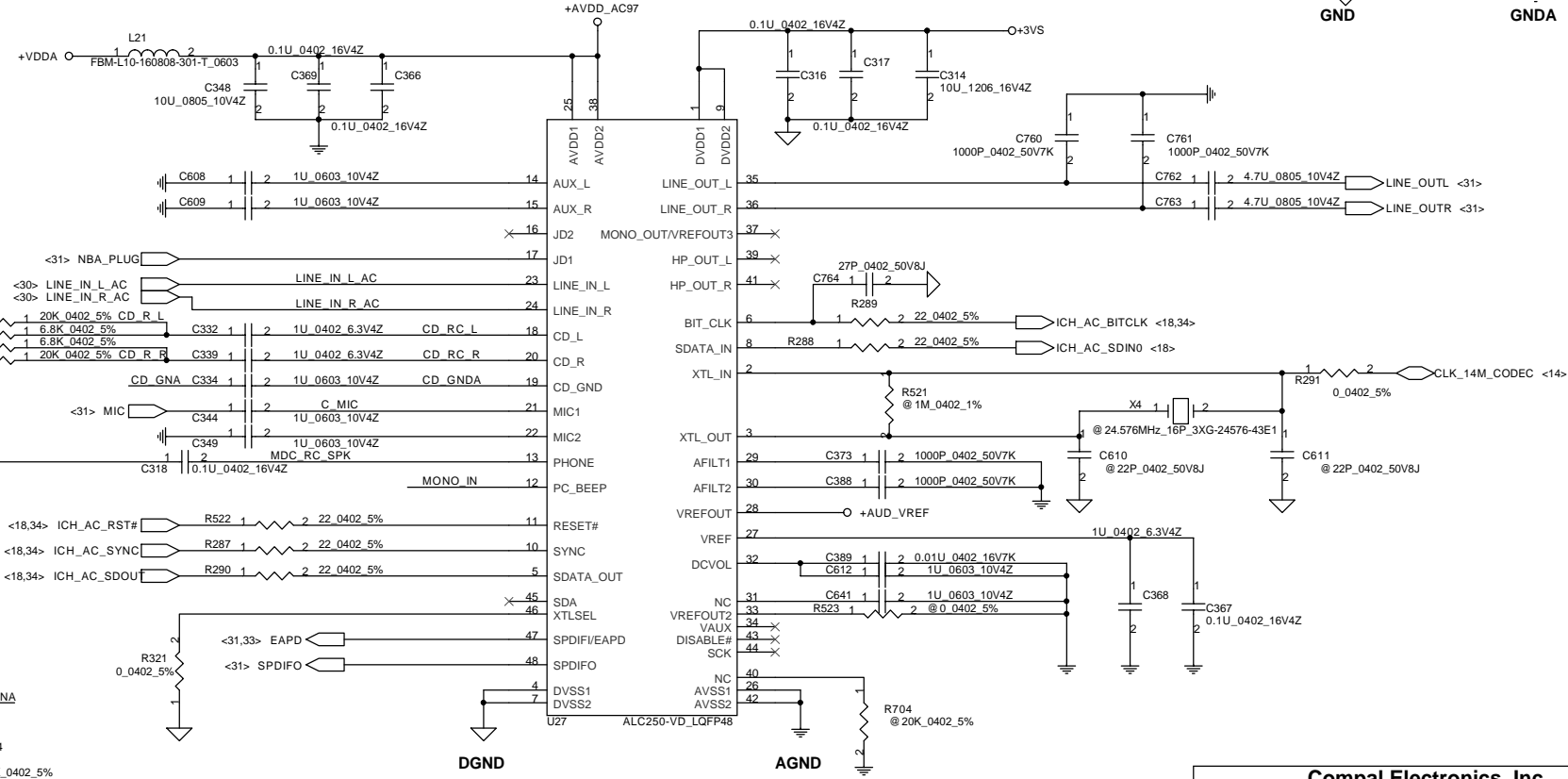
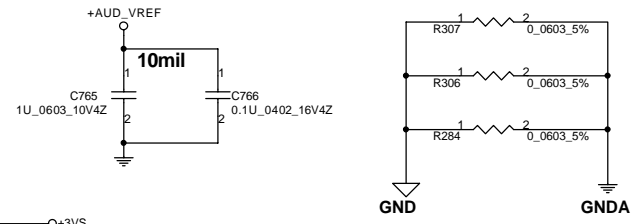
Compal Electronics, Inc.			
Title			
SCHEMATIC, M/B LA-2601			
Size	Document Number		Rev
	401336		C
Date:	~P期间, 三月 17, 2005		Sheet 28 of 51

THIS SHEET OF ENGINEERING DRAWING IS THE PROPRIETARY PROPERTY OF COMPAL ELECTRONICS, INC. AND CONTAINS CONFIDENTIAL AND TRADE SECRET INFORMATION. THIS SHEET MAY NOT BE TRANSFERRED FROM THE CUSTODY OF THE COMPETENT DIVISION OF R&D DEPARTMENT EXCEPT AS AUTHORIZED BY COMPAL ELECTRONICS, INC. NEITHER THIS SHEET NOR THE INFORMATION IT CONTAINS MAY BE USED BY OR DISCLOSED TO ANY THIRD PARTY WITHOUT PRIOR WRITTEN CONSENT OF COMPAL ELECTRONICS, INC.



28.7K for Module Design (VDDA = 4.702)
(output = 250 mA)

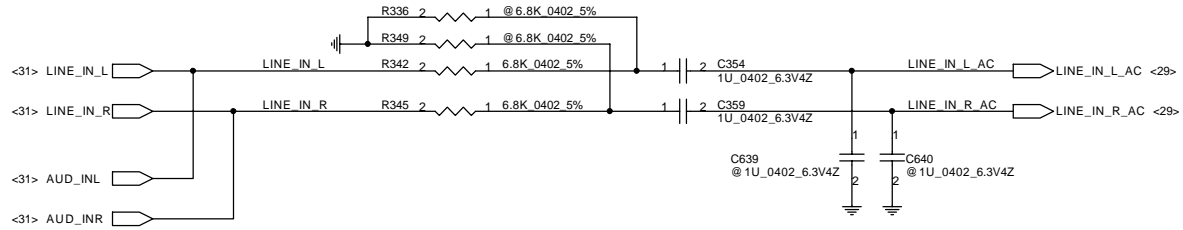
AC97 Codec



With 14.318Mhz : R321 POP
With 24.576Mhz : R321 DEPOP

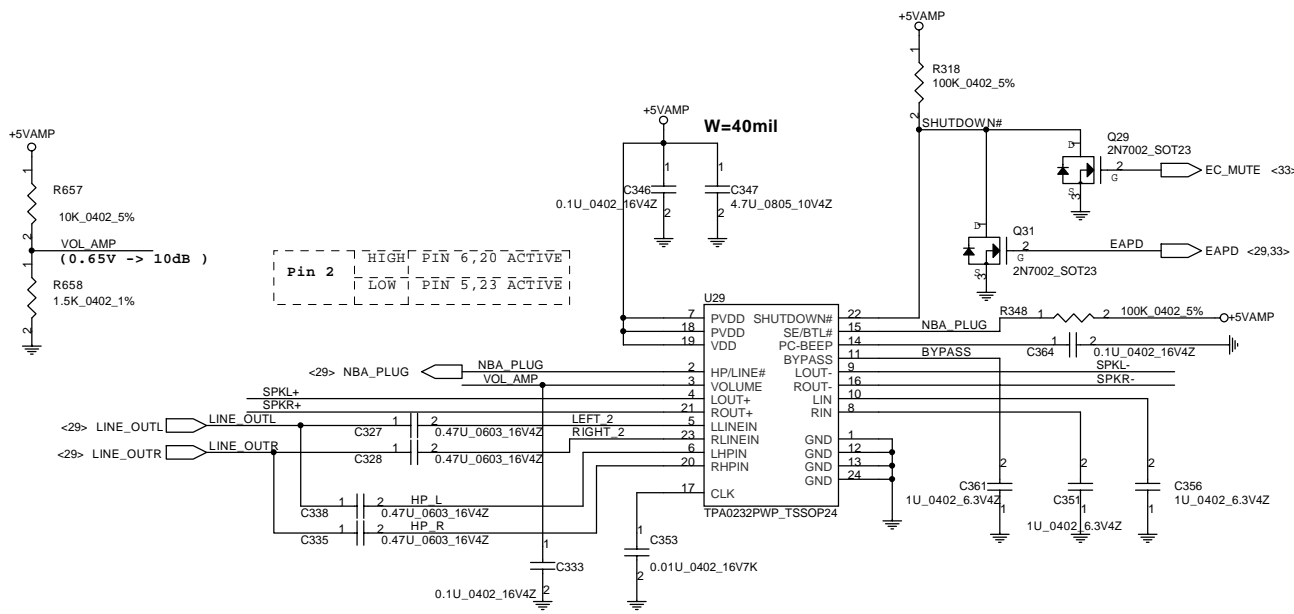
THIS SHEET OF ENGINEERING DRAWING IS THE PROPRIETARY PROPERTY OF COMPAL ELECTRONICS, INC. AND CONTAINS CONFIDENTIAL AND TRADE SECRET INFORMATION. THIS SHEET MAY NOT BE TRANSFERRED FROM THE CUSTODY OF THE COMPETENT DIVISION OF R&D DEPARTMENT EXCEPT AS AUTHORIZED BY COMPAL ELECTRONICS, INC. NEITHER THIS SHEET NOR THE INFORMATION IT CONTAINS MAY BE USED BY OR DISCLOSED TO ANY THIRD PARTY WITHOUT PRIOR WRITTEN CONSENT OF COMPAL ELECTRONICS, INC.

Compal Electronics, Inc.		
Title SCHEMATIC, M/B LA-2601		
Size	Document Number 401336	Rev C
Date	~P 星期三, 三月 17, 2005	
	Sheet	29 of 51

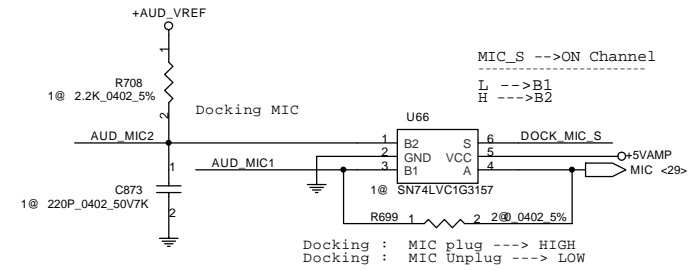
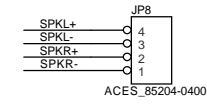


THIS SHEET OF ENGINEERING DRAWING IS THE PROPRIETARY PROPERTY OF COMPAL ELECTRONICS, INC. AND CONTAINS CONFIDENTIAL AND PROPRIETARY NOTE TRADE SECRET INFORMATION. THIS SHEET MAY NOT BE TRANSFERRED FROM THE CUSTODY OF THE COMPETENT DIVISION OF R&D DEPARTMENT EXCEPT AS AUTHORIZED BY COMPAL ELECTRONICS, INC. NEITHER THIS SHEET NOR THE INFORMATION IT CONTAINS MAY BE USED BY OR DISCLOSED TO ANY THIRD PARTY WITHOUT PRIOR WRITTEN CONSENT OF COMPAL ELECTRONICS, INC.

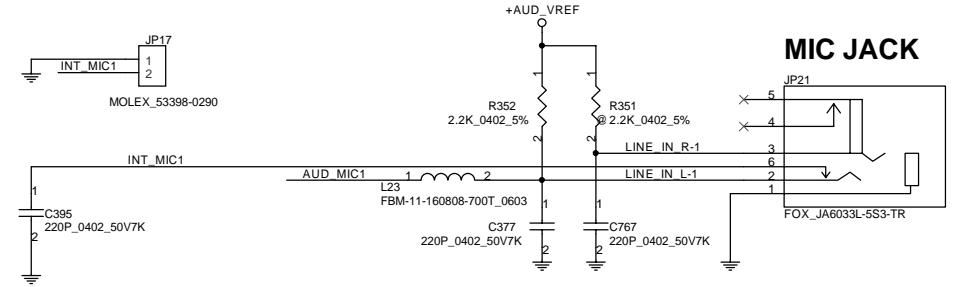
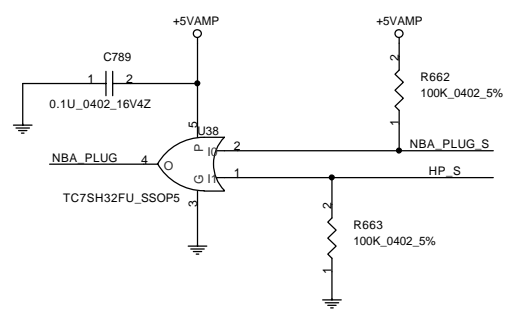
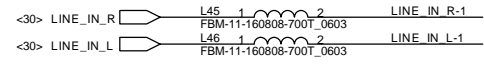
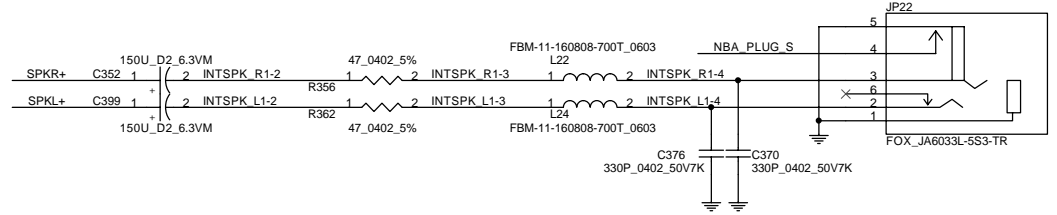
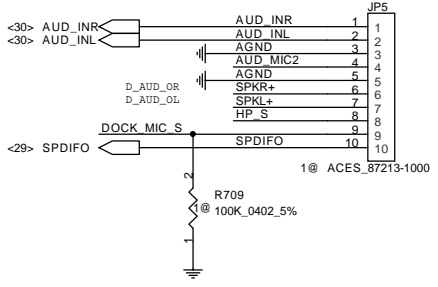
Compal Electronics, Inc.		
Title		
SCHEMATIC, M/B LA-2601		
Size	Document Number	Rev
	401336	C
Date:	~P期四, 三月 17, 2005	Sheet 30 of 51



Speaker Conn.



HeadPhone JACK

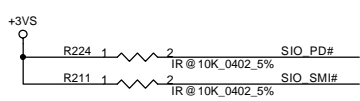


Compal Electronics, Inc.

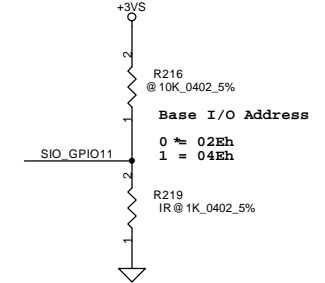
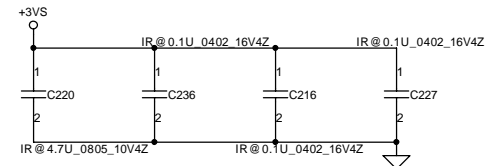
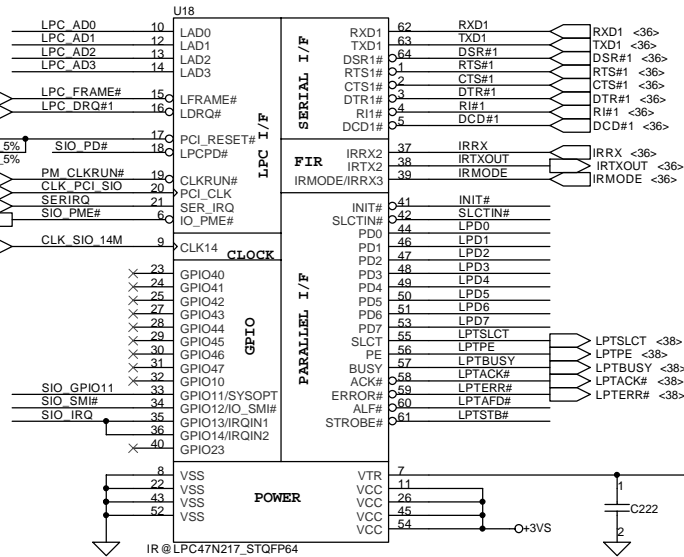
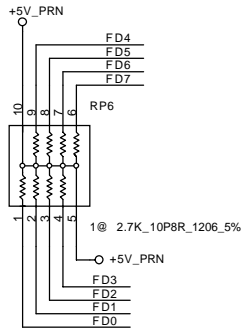
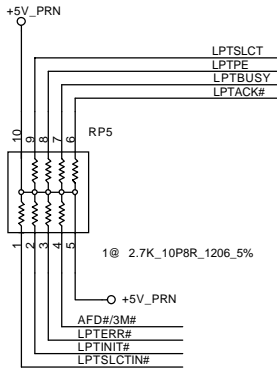
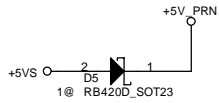
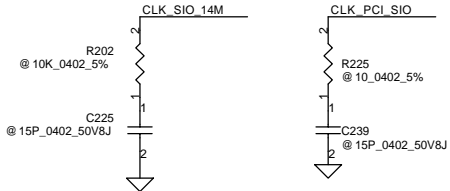
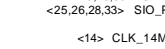
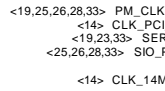
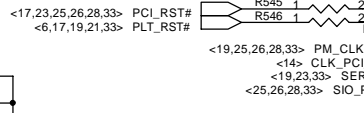
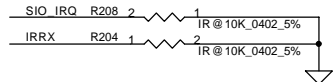
Title			SCHEMATIC, M/B LA-2601		
Size	Document Number		Rev		C
	401336				
Date:	~P期间, 三月 17, 2005		Sheet	31	of 51

THIS SHEET OF ENGINEERING DRAWING IS THE PROPRIETARY PROPERTY OF COMPAL ELECTRONICS, INC. AND CONTAINS CONFIDENTIAL AND TRADE SECRET INFORMATION. THIS SHEET MAY NOT BE TRANSFERRED FROM THE CUSTODY OF THE COMPETENT DIVISION OF R&D DEPARTMENT EXCEPT AS AUTHORIZED BY COMPAL ELECTRONICS, INC. NEITHER THIS SHEET NOR THE INFORMATION IT CONTAINS MAY BE USED BY OR DISCLOSED TO ANY THIRD PARTY WITHOUT PRIOR WRITTEN CONSENT OF COMPAL ELECTRONICS, INC.

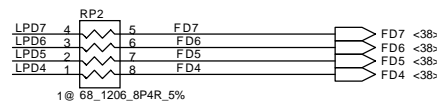
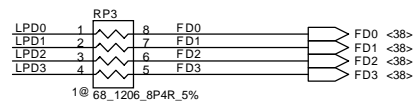
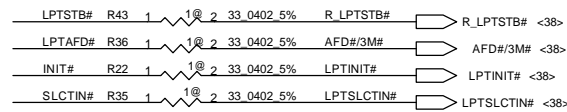
SUPER I/O SMsC LPC47N217



<18,33> LPC_AD[0..3] \leftrightarrow LPC_AD[0..3]



Close to Docking

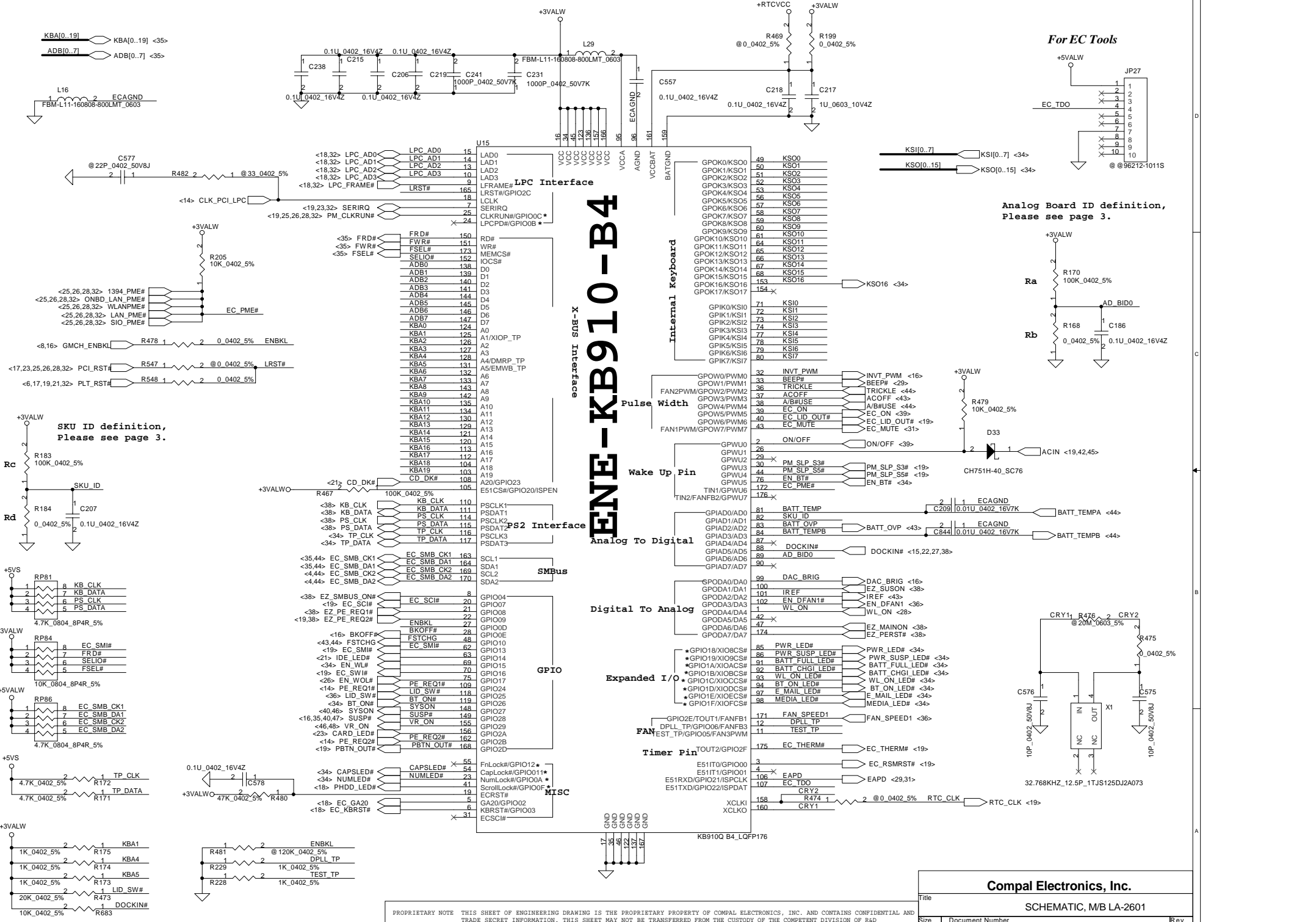


THIS SHEET OF ENGINEERING DRAWING IS THE PROPRIETARY PROPERTY OF COMPAL ELECTRONICS, INC. AND CONTAINS CONFIDENTIAL AND TRADE SECRET INFORMATION. THIS SHEET MAY NOT BE TRANSFERRED FROM THE CUSTODY OF THE COMPETENT DIVISION OF R&D DEPARTMENT EXCEPT AS AUTHORIZED BY COMPAL ELECTRONICS, INC. NEITHER THIS SHEET NOR THE INFORMATION IT CONTAINS MAY BE USED BY OR DISCLOSED TO ANY THIRD PARTY WITHOUT PRIOR WRITTEN CONSENT OF COMPAL ELECTRONICS, INC.

Compal Electronics, Inc.		
Title SCHEMATIC, M/B LA-2601		
Size	Document Number 401336	Rev C
Date:	~P期间, 三月 17, 2005	Sheet 32 of 51

ENE-KB910-B4

X-BUS Interface



Compal Electronics, Inc.

Title: SCHEMATIC, M/B LA-2601

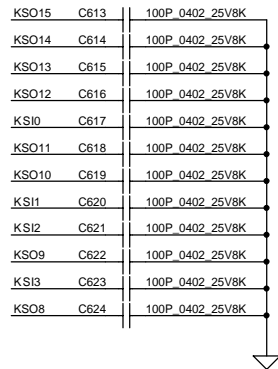
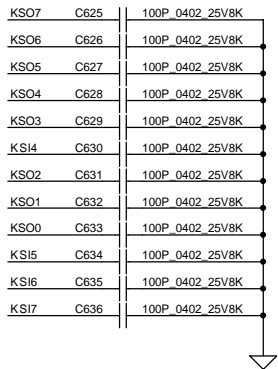
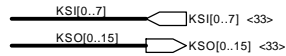
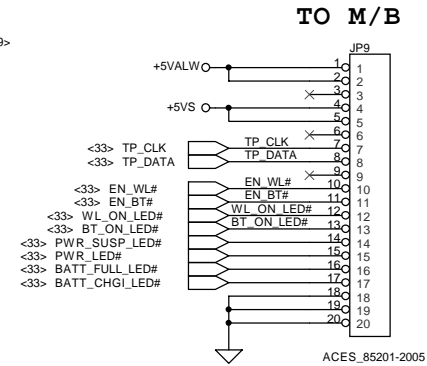
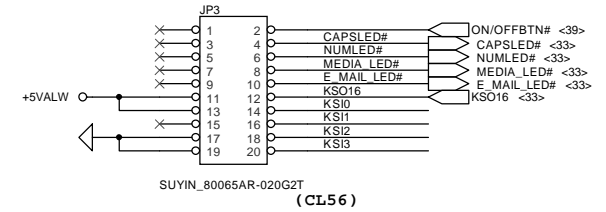
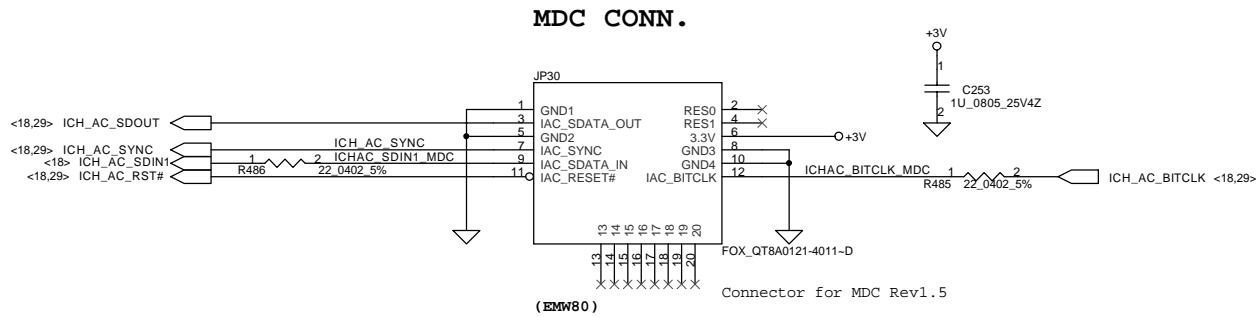
Size: 401336

Rev: C

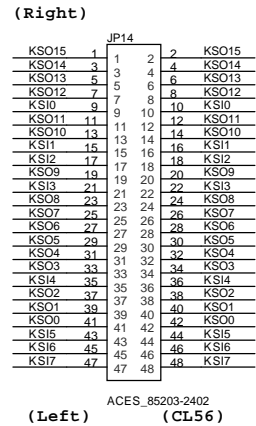
Date: 星期三, 三月 17, 2005

Sheet: 33 of 51

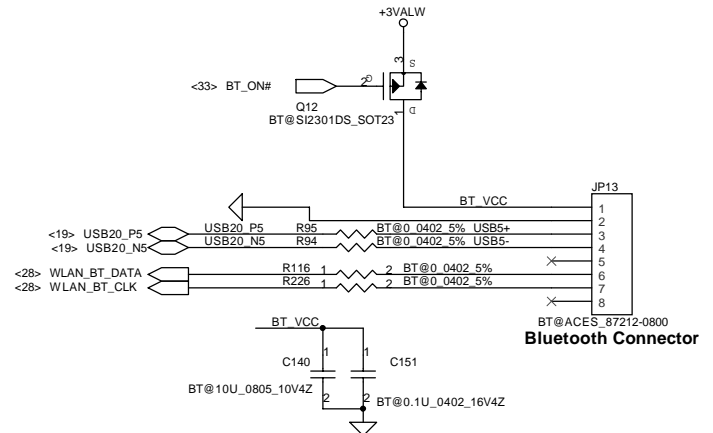
PROPRIETARY NOTE THIS SHEET OF ENGINEERING DRAWING IS THE PROPRIETARY PROPERTY OF COMPAL ELECTRONICS, INC. AND CONTAINS CONFIDENTIAL AND TRADE SECRET INFORMATION. THIS SHEET MAY NOT BE TRANSFERRED FROM THE CUSTODY OF THE COMPETENT DIVISION OF R&D DEPARTMENT EXCEPT AS AUTHORIZED BY COMPAL ELECTRONICS, INC. NEITHER THIS SHEET NOR THE INFORMATION IT CONTAINS MAY BE USED BY OR DISCLOSED TO ANY THIRD PARTY WITHOUT PRIOR WRITTEN CONSENT OF COMPAL ELECTRONICS, INC.



INT_KBD CONN.





BlueTooth Interface

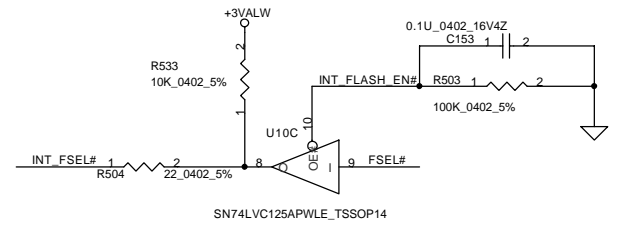
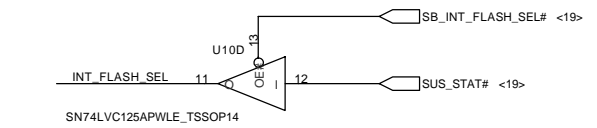
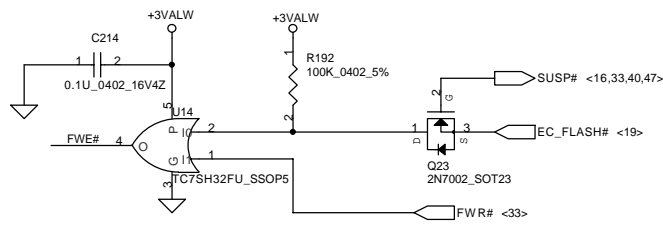
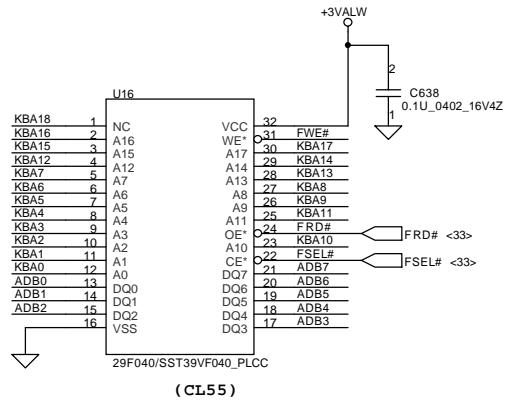


Compal Electronics, Inc.

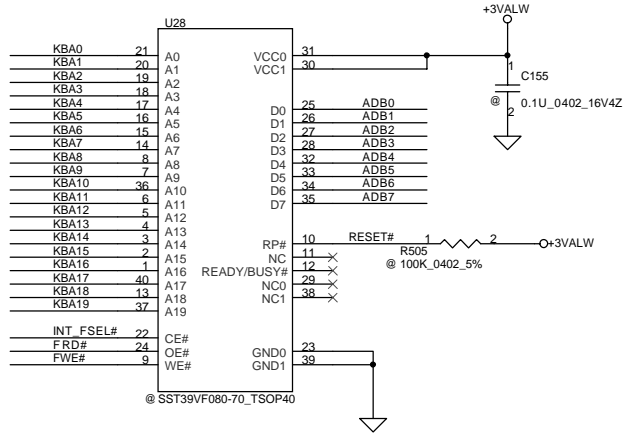
Title			
SCHEMATIC, M/B LA-2601			
Size	Document Number	401336	Rev C
Date:	-P 期四, 三月 17, 2005	Sheet	34 of 51

THIS SHEET OF ENGINEERING DRAWING IS THE PROPRIETARY PROPERTY OF COMPAL ELECTRONICS, INC. AND CONTAINS CONFIDENTIAL AND TRADE SECRET INFORMATION. THIS SHEET MAY NOT BE TRANSFERRED FROM THE CUSTODY OF THE COMPETENT DIVISION OF R&D DEPARTMENT EXCEPT AS AUTHORIZED BY COMPAL ELECTRONICS, INC. NEITHER THIS SHEET NOR THE INFORMATION IT CONTAINS MAY BE USED BY OR DISCLOSED TO ANY THIRD PARTY WITHOUT PRIOR WRITTEN CONSENT OF COMPAL ELECTRONICS, INC.

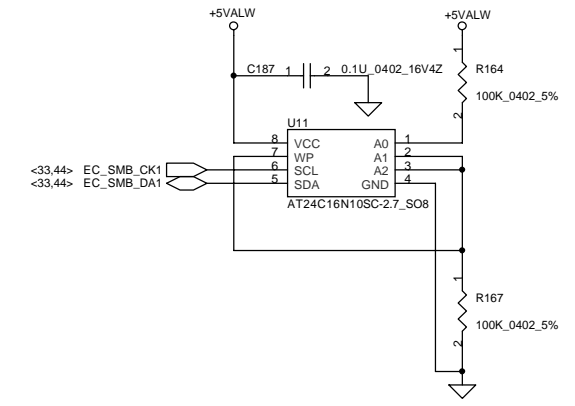
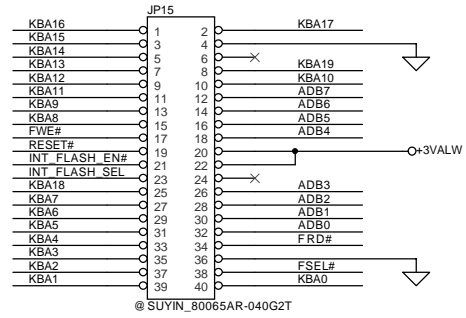
<33> KBA[0..19]  KBA[0..19]
 <33> ADB[0..7]  ADB[0..7]



1MB Flash ROM



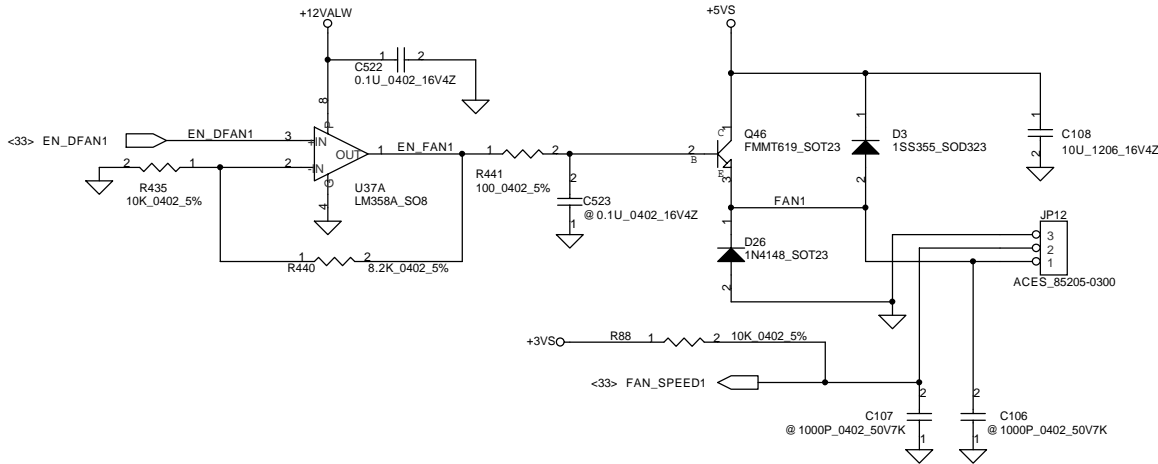
1MB ROM Socket



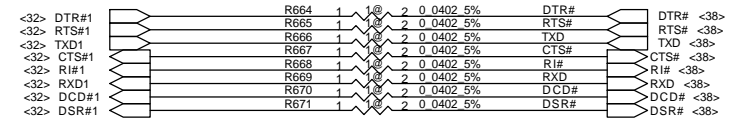
Compal Electronics, Inc.			
Title SCHEMATIC, M/B LA-2601			
Size	Document Number	Rev C	
	401336		
Date:	-P 期四, 三月 17, 2005	Sheet	35 of 51

THIS SHEET OF ENGINEERING DRAWING IS THE PROPRIETARY PROPERTY OF COMPAL ELECTRONICS, INC. AND CONTAINS CONFIDENTIAL AND TRADE SECRET INFORMATION. THIS SHEET MAY NOT BE TRANSFERRED FROM THE CUSTODY OF THE COMPETENT DIVISION OF R&D DEPARTMENT EXCEPT AS AUTHORIZED BY COMPAL ELECTRONICS, INC. NEITHER THIS SHEET NOR THE INFORMATION IT CONTAINS MAY BE USED BY OR DISCLOSED TO ANY THIRD PARTY WITHOUT PRIOR WRITTEN CONSENT OF COMPAL ELECTRONICS, INC.

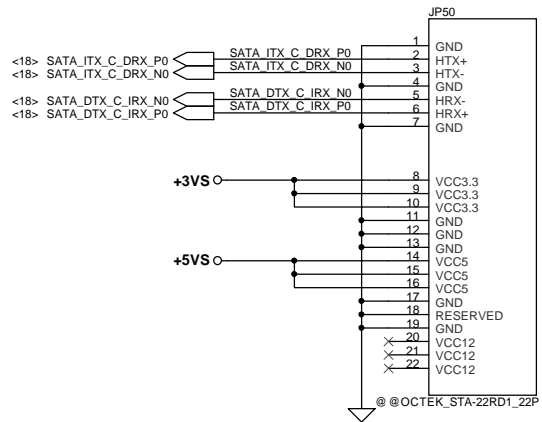
FAN Conn



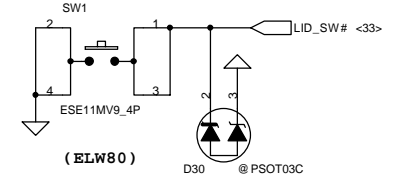
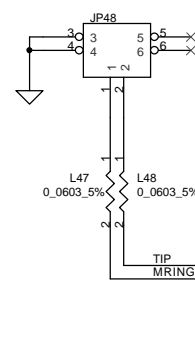
Close to Docking



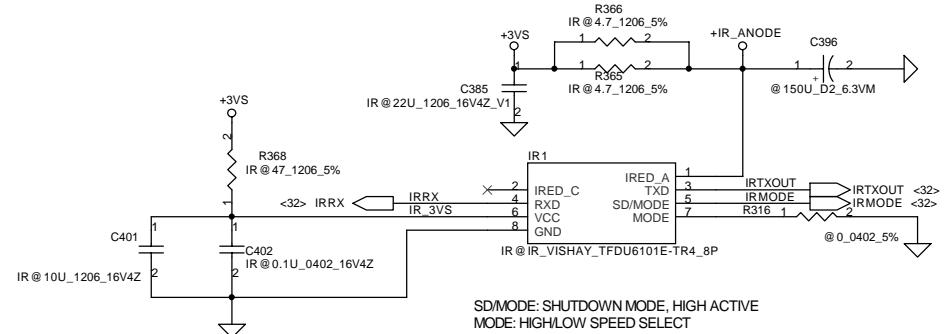
SATA HDD CONN



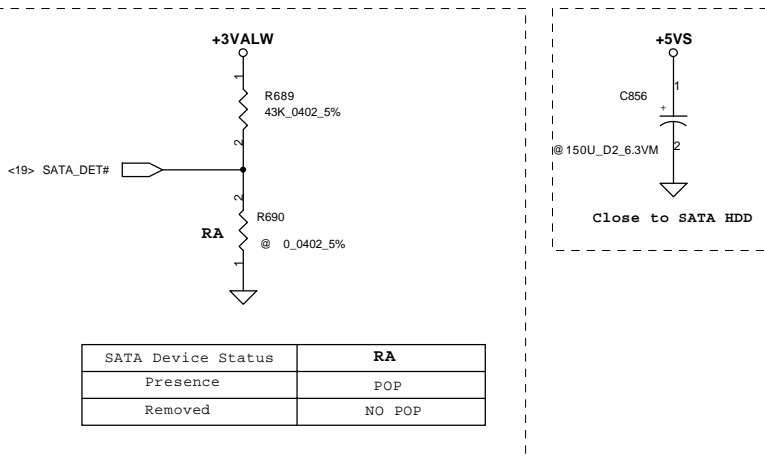
FOXCONN_JM34613-L002-TR



FIR Module



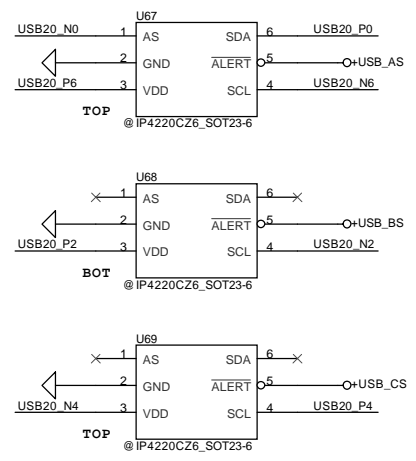
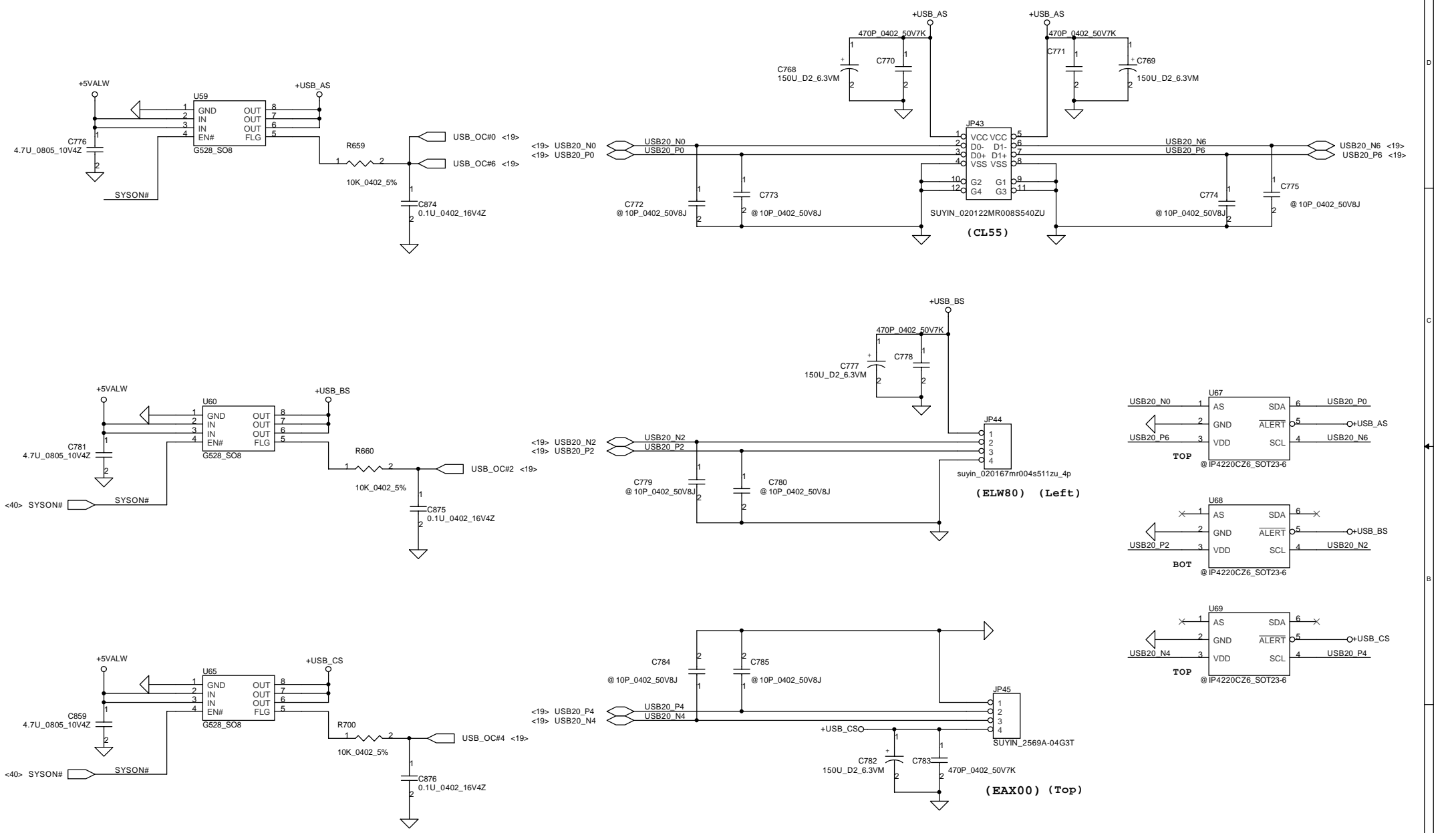
SD/MODE: SHUTDOWN MODE, HIGH ACTIVE
MODE: HIGH/LOW SPEED SELECT



SATA Device Status	RA
Presence	POP
Removed	NO POP

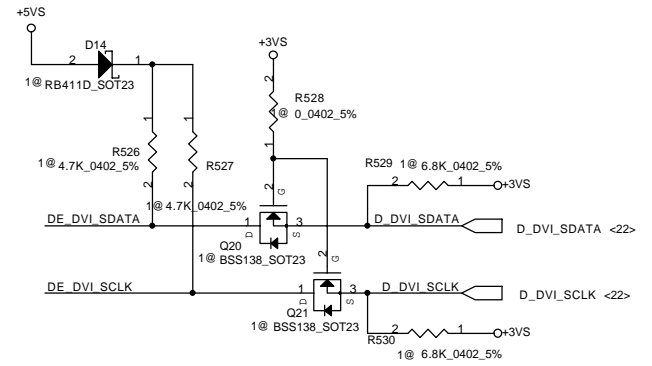
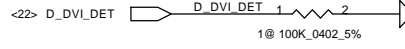
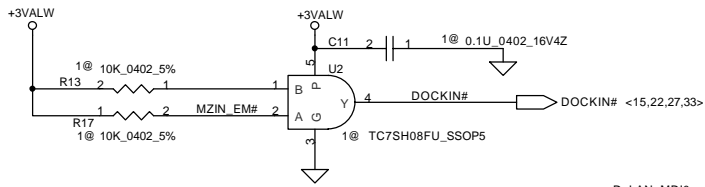
Compal Electronics, Inc.		
Title SCHEMATIC, M/B LA-2601		
Size	Document Number 401336	Rev C
Date:	-P 期四, 三月 17, 2005	Sheet 36 of 51

THIS SHEET OF ENGINEERING DRAWING IS THE PROPRIETARY PROPERTY OF COMPAL ELECTRONICS, INC. AND CONTAINS CONFIDENTIAL AND TRADE SECRET INFORMATION. THIS SHEET MAY NOT BE TRANSFERRED FROM THE CUSTODY OF THE COMPETENT DIVISION OF R&D DEPARTMENT EXCEPT AS AUTHORIZED BY COMPAL ELECTRONICS, INC. NEITHER THIS SHEET NOR THE INFORMATION IT CONTAINS MAY BE USED BY OR DISCLOSED TO ANY THIRD PARTY WITHOUT PRIOR WRITTEN CONSENT OF COMPAL ELECTRONICS, INC.

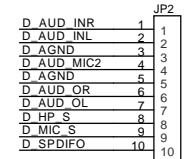
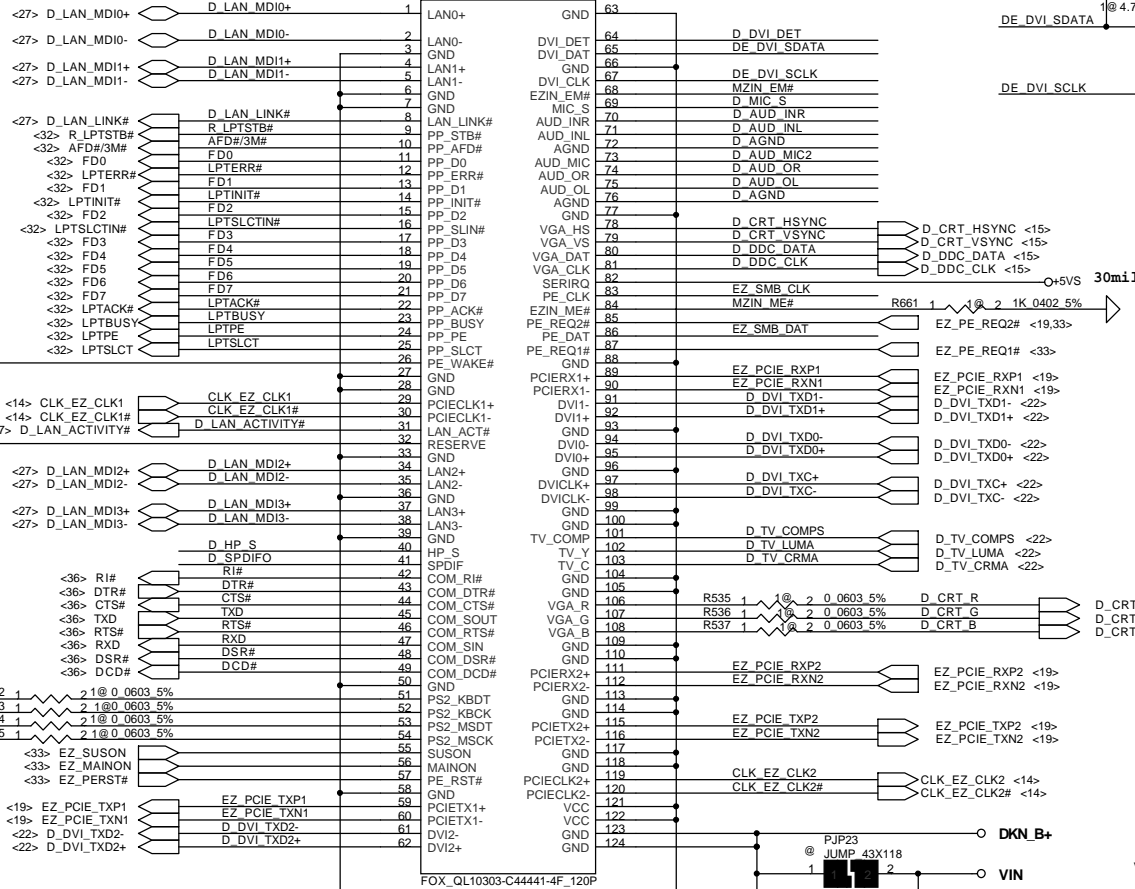


Compal Electronics, Inc.		
Title		
SCHEMATIC, M/B LA-2601		
Size	Document Number	Rev
	401336	C
Date:	~P 星期四, 三月 17, 2005	Sheet 37 of 51

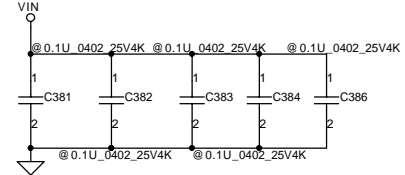
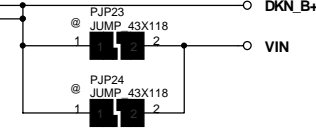
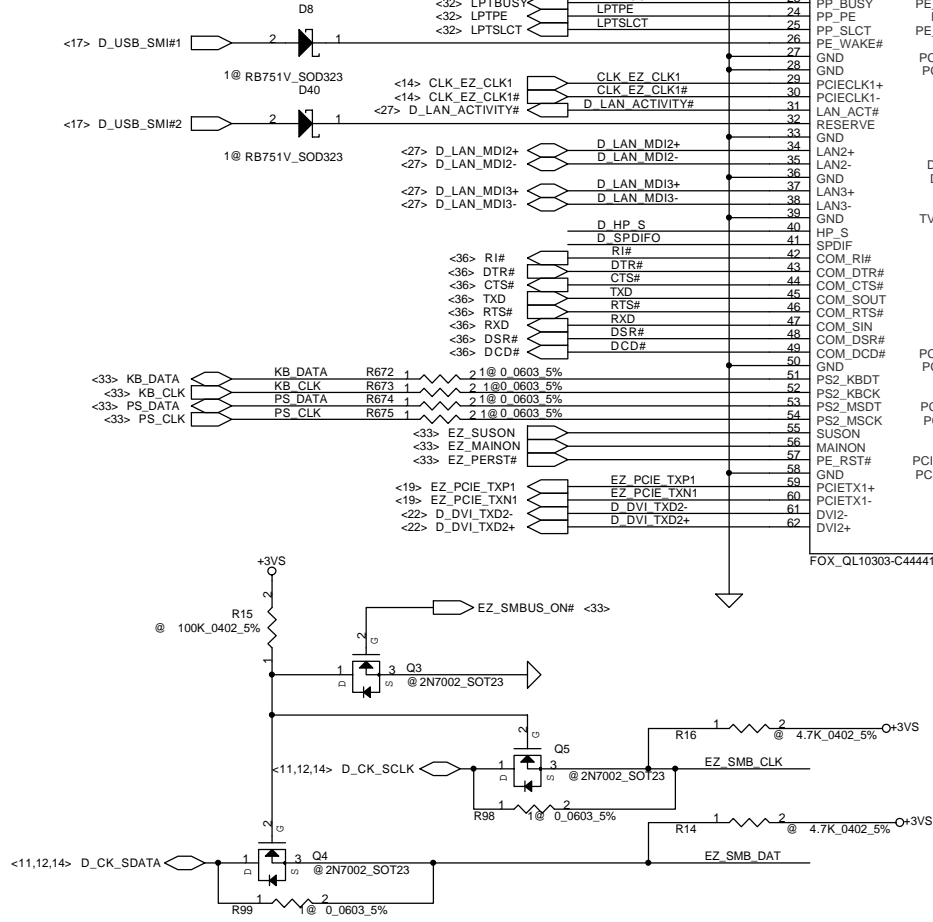
THIS SHEET OF ENGINEERING DRAWING IS THE PROPRIETARY PROPERTY OF COMPAL ELECTRONICS, INC. AND CONTAINS CONFIDENTIAL AND TRADE SECRET INFORMATION. THIS SHEET MAY NOT BE TRANSFERRED FROM THE CUSTODY OF THE COMPETENT DIVISION OF R&D DEPARTMENT EXCEPT AS AUTHORIZED BY COMPAL ELECTRONICS, INC. NEITHER THIS SHEET NOR THE INFORMATION IT CONTAINS MAY BE USED BY OR DISCLOSED TO ANY THIRD PARTY WITHOUT PRIOR WRITTEN CONSENT OF COMPAL ELECTRONICS, INC.

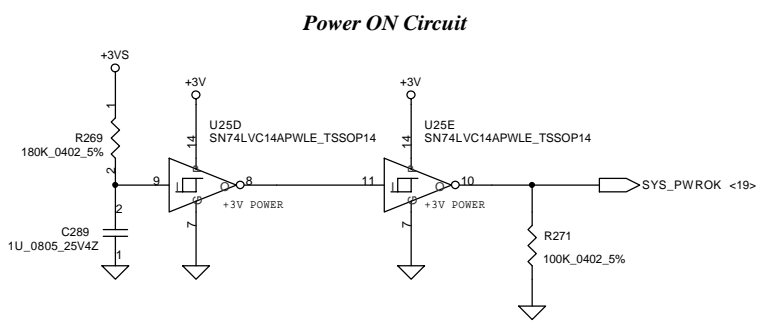
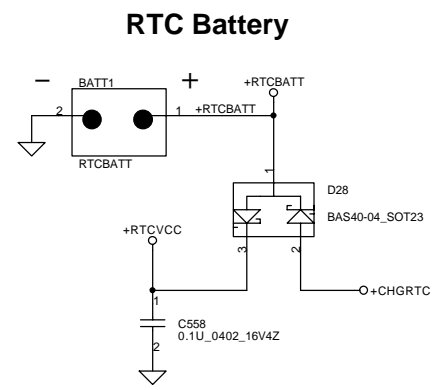
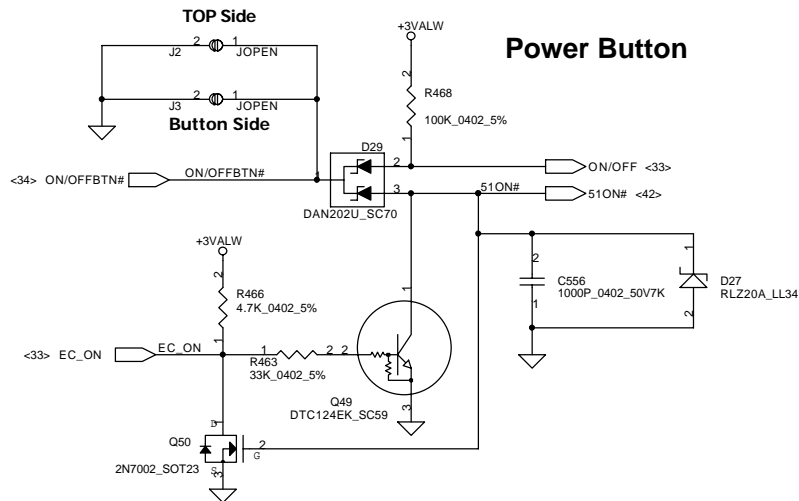


Docking Conn.



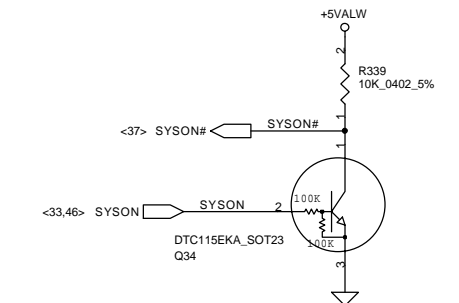
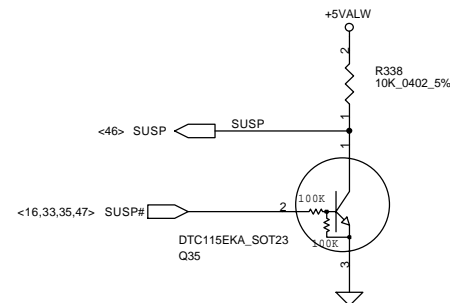
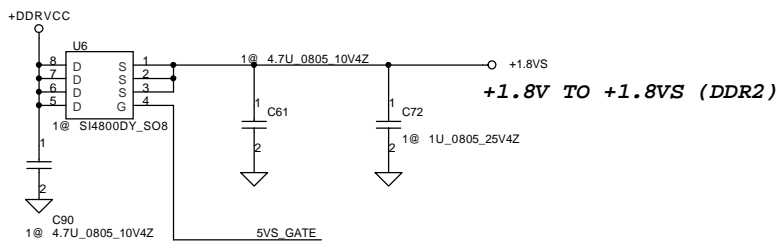
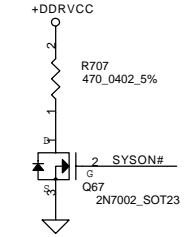
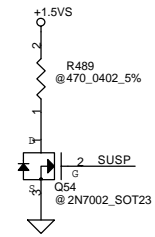
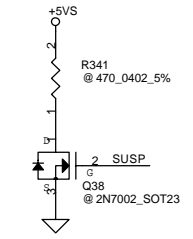
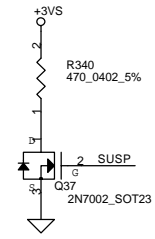
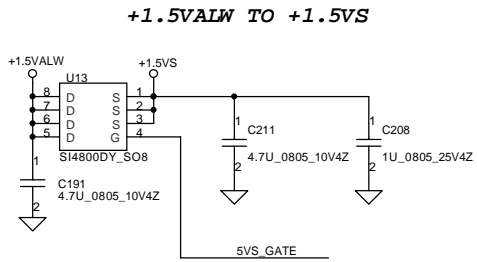
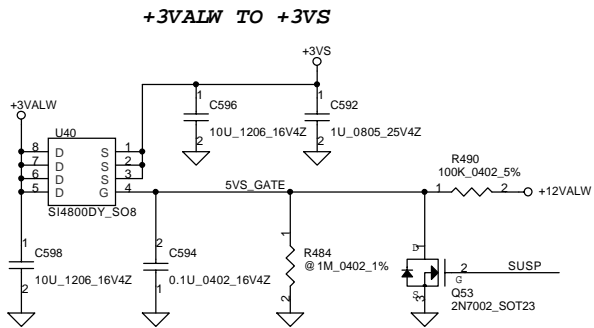
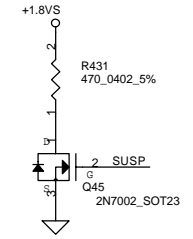
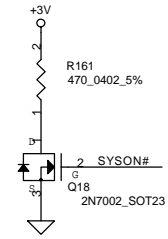
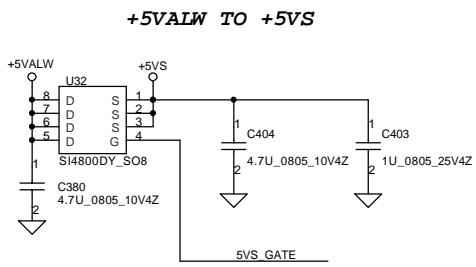
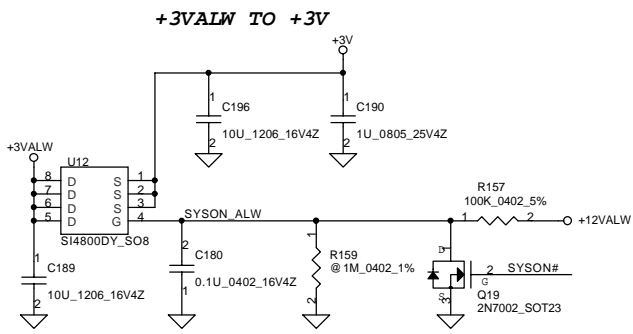
1 @ ACES_87213-1000





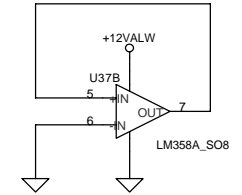
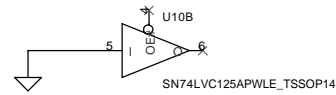
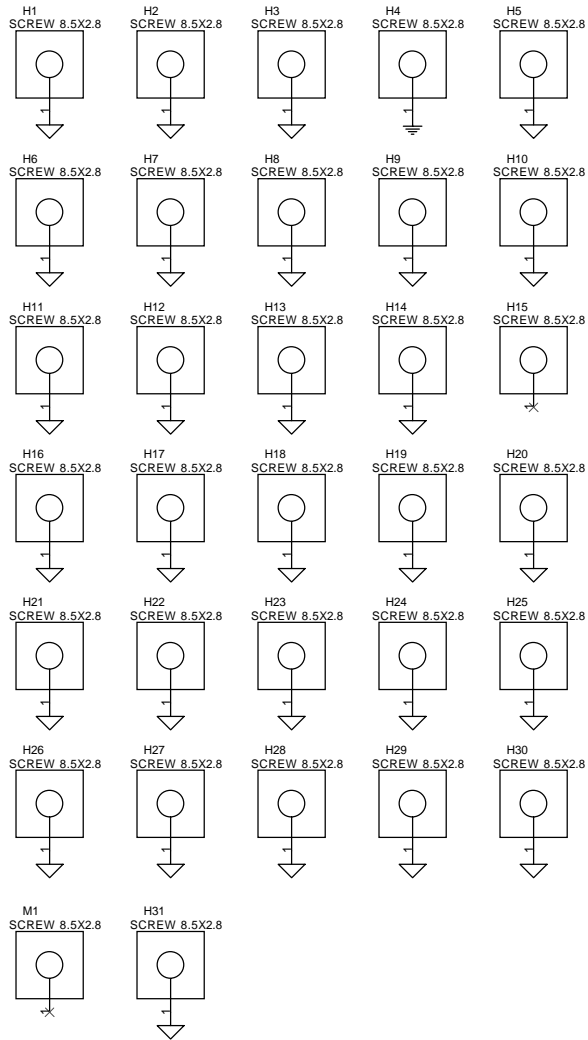
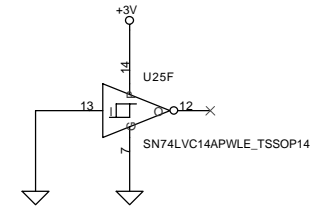
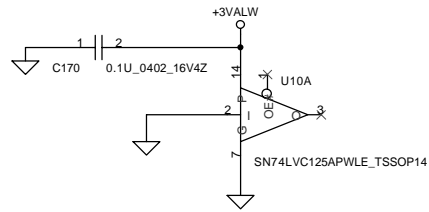
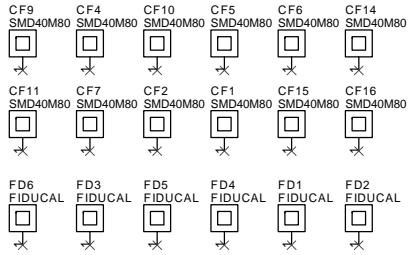
THIS SHEET OF ENGINEERING DRAWING IS THE PROPRIETARY PROPERTY OF COMPAL ELECTRONICS, INC. AND CONTAINS CONFIDENTIAL AND TRADE SECRET INFORMATION. THIS SHEET MAY NOT BE TRANSFERRED FROM THE CUSTODY OF THE COMPETENT DIVISION OF R&D DEPARTMENT EXCEPT AS AUTHORIZED BY COMPAL ELECTRONICS, INC. NEITHER THIS SHEET NOR THE INFORMATION IT CONTAINS MAY BE USED BY OR DISCLOSED TO ANY THIRD PARTY WITHOUT PRIOR WRITTEN CONSENT OF COMPAL ELECTRONICS, INC.

Compal Electronics, Inc.		
Title SCHEMATIC, M/B LA-2601		
Size	Document Number 401336	Rev C
Date:	~P 星期四, 三月 17, 2005	Sheet 39 of 51



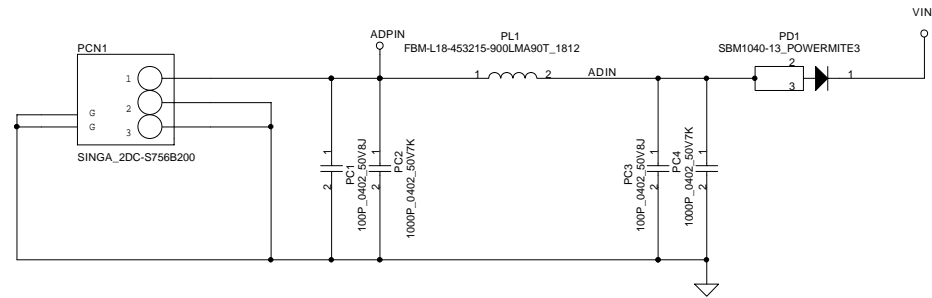
PROPRIETARY NOTE THIS SHEET OF ENGINEERING DRAWING IS THE PROPRIETARY PROPERTY OF COMPAL ELECTRONICS, INC. AND CONTAINS CONFIDENTIAL AND TRADE SECRET INFORMATION. THIS SHEET MAY NOT BE TRANSFERRED FROM THE CUSTODY OF THE COMPETENT DIVISION OF R&D DEPARTMENT EXCEPT AS AUTHORIZED BY COMPAL ELECTRONICS, INC. NEITHER THIS SHEET NOR THE INFORMATION IT CONTAINS MAY BE USED BY OR DISCLOSED TO ANY THIRD PARTY WITHOUT PRIOR WRITTEN CONSENT OF COMPAL ELECTRONICS, INC.

Compal Electronics, Inc.		
Title SCHEMATIC, M/B LA-2601		
Size B	Document Number 401336	Rev C
Date: ~P期四, 三月 17, 2005	Sheet 40	of 51

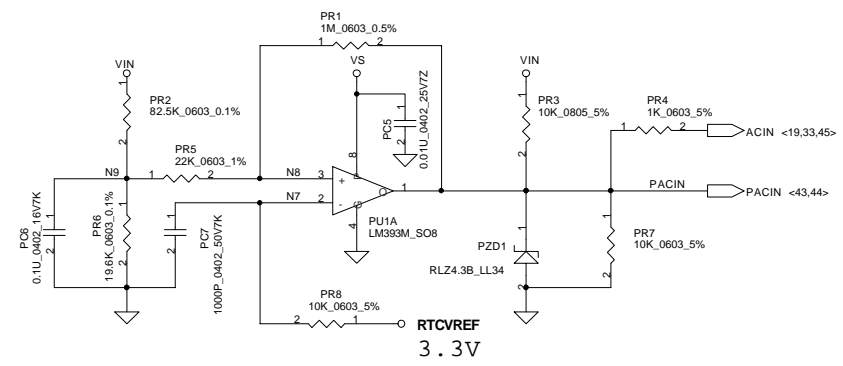


THIS SHEET OF ENGINEERING DRAWING IS THE PROPRIETARY PROPERTY OF COMPAL ELECTRONICS, INC. AND CONTAINS CONFIDENTIAL AND TRADE SECRET INFORMATION. THIS SHEET MAY NOT BE TRANSFERRED FROM THE CUSTODY OF THE COMPETENT DIVISION OF R&D DEPARTMENT EXCEPT AS AUTHORIZED BY COMPAL ELECTRONICS, INC. NEITHER THIS SHEET NOR THE INFORMATION IT CONTAINS MAY BE USED BY OR DISCLOSED TO ANY THIRD PARTY WITHOUT PRIOR WRITTEN CONSENT OF COMPAL ELECTRONICS, INC.

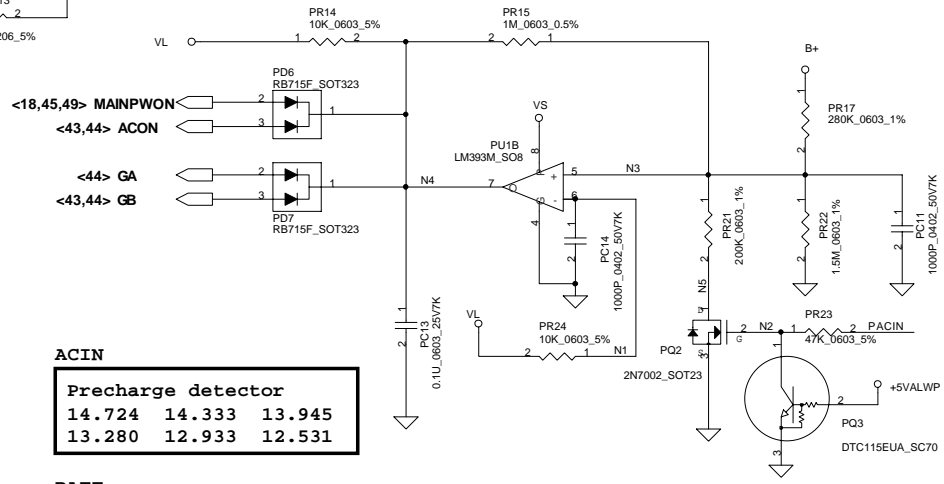
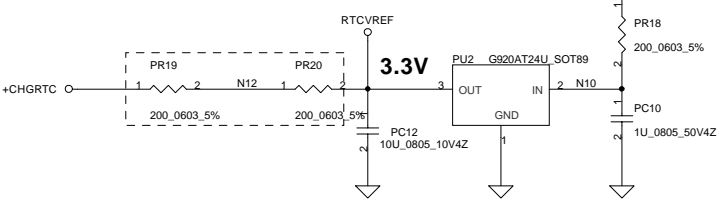
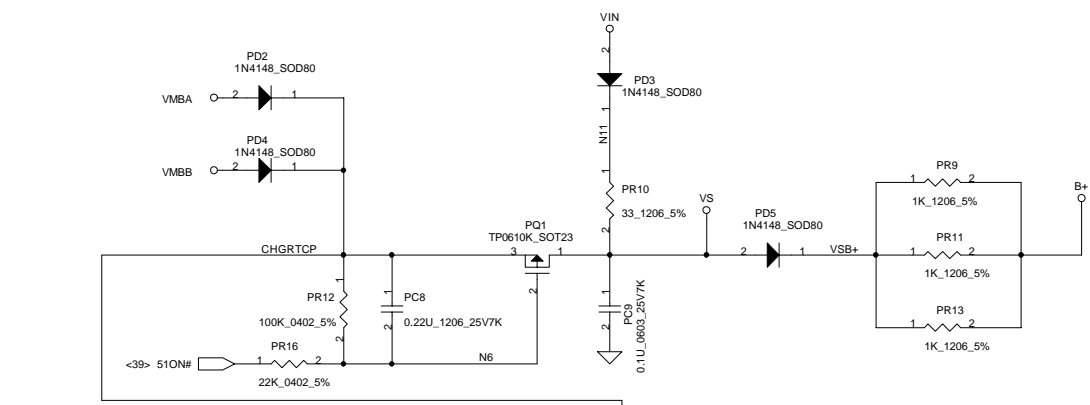
Compal Electronics, Inc.		
Title SCHEMATIC, M/B LA-2601		
Size	Document Number 401336	Rev C
Date: 2005.03.17	Sheet 41	of 51



Vin Detector		
18.234	17.841	17.449
17.597	17.210	16.813

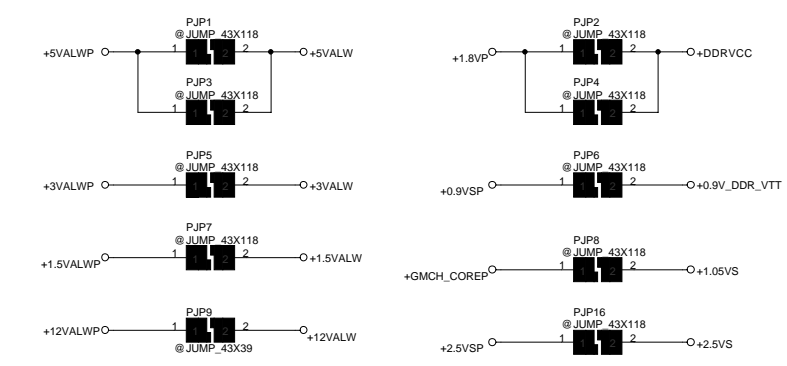


RTCVREF
3.3V

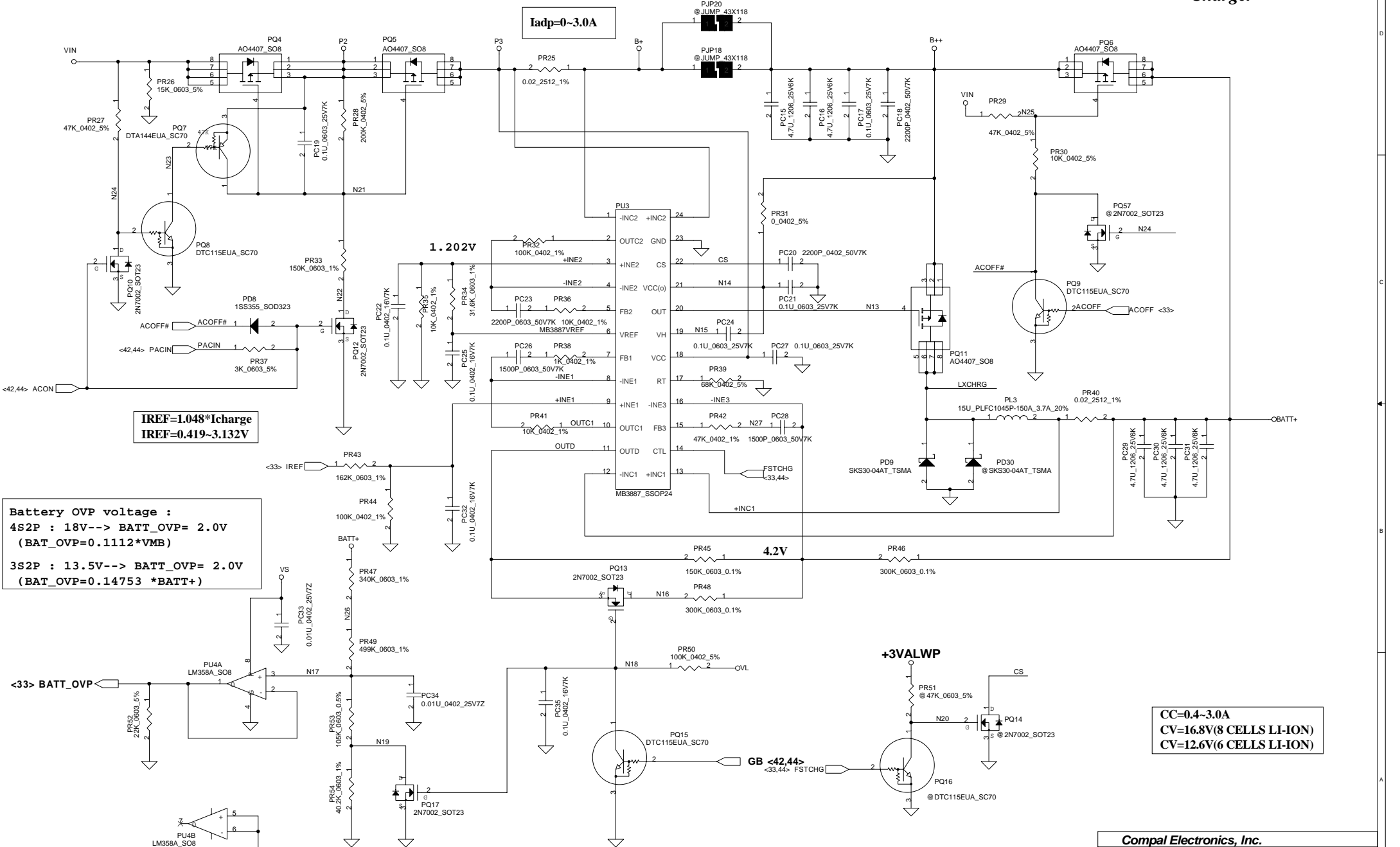


ACIN		
Precharge detector	14.724	14.333
	13.280	12.933
	13.945	12.531

BATT		
Precharge detector	7.558	7.333
	7.112	6.108
	5.933	5.704



Charger



Battery OVP voltage :
 4S2P : 18V--> BATT_OVP= 2.0V
 (BAT_OVP=0.1112*VMB)
 3S2P : 13.5V--> BATT_OVP= 2.0V
 (BAT_OVP=0.14753 *BATT+)

IREF=1.048*Icharge
IREF=0.419~3.132V

Iadp=0~3.0A

1.202V

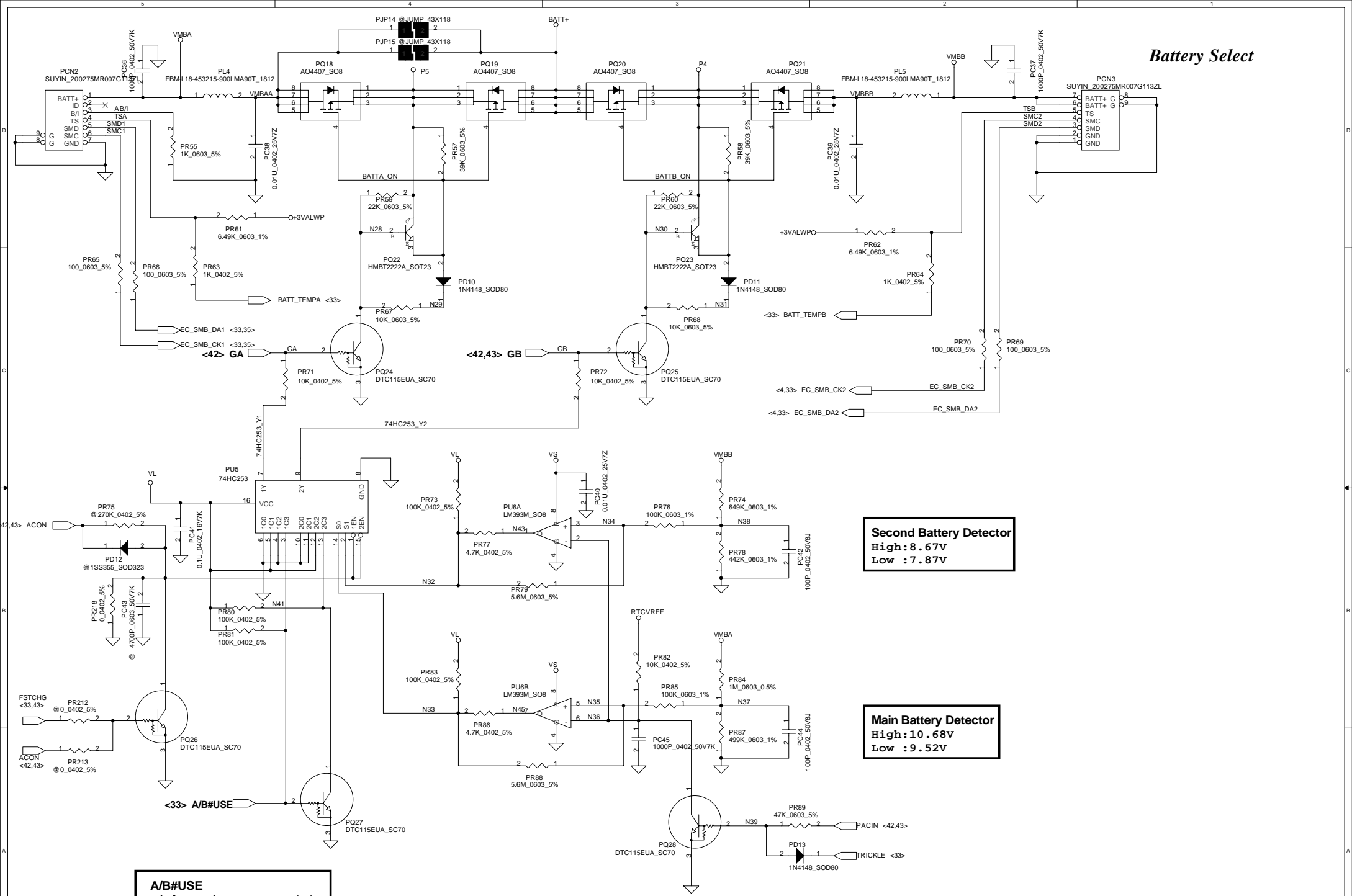
+3VALWP

CC=0.4~3.0A
CV=16.8V(8 CELLS LI-ION)
CV=12.6V(6 CELLS LI-ION)

THIS SHEET OF ENGINEERING DRAWING IS THE PROPRIETARY PROPERTY OF COMPAL ELECTRONICS, INC. AND CONTAINS CONFIDENTIAL AND TRADE SECRET INFORMATION. THIS SHEET MAY NOT BE TRANSFERRED FROM THE CUSTODY OF THE COMPETENT DIVISION OF R&D DEPARTMENT EXCEPT AS AUTHORIZED BY COMPAL ELECTRONICS, INC. NEITHER THIS SHEET NOR THE INFORMATION IT CONTAINS MAY BE USED BY OR DISCLOSED TO ANY THIRD PARTY WITHOUT PRIOR WRITTEN CONSENT OF COMPAL ELECTRONICS, INC.

Compal Electronics, Inc.			
SCHEMATIC, M/B LA-2601			
Size	Document Number	Rev	
Custom	401336	C	
Date:	星期四, 三月 17, 2005	Sheet	43 of 9

Battery Select



Second Battery Detector
 High: 8.67V
 Low : 7.87V

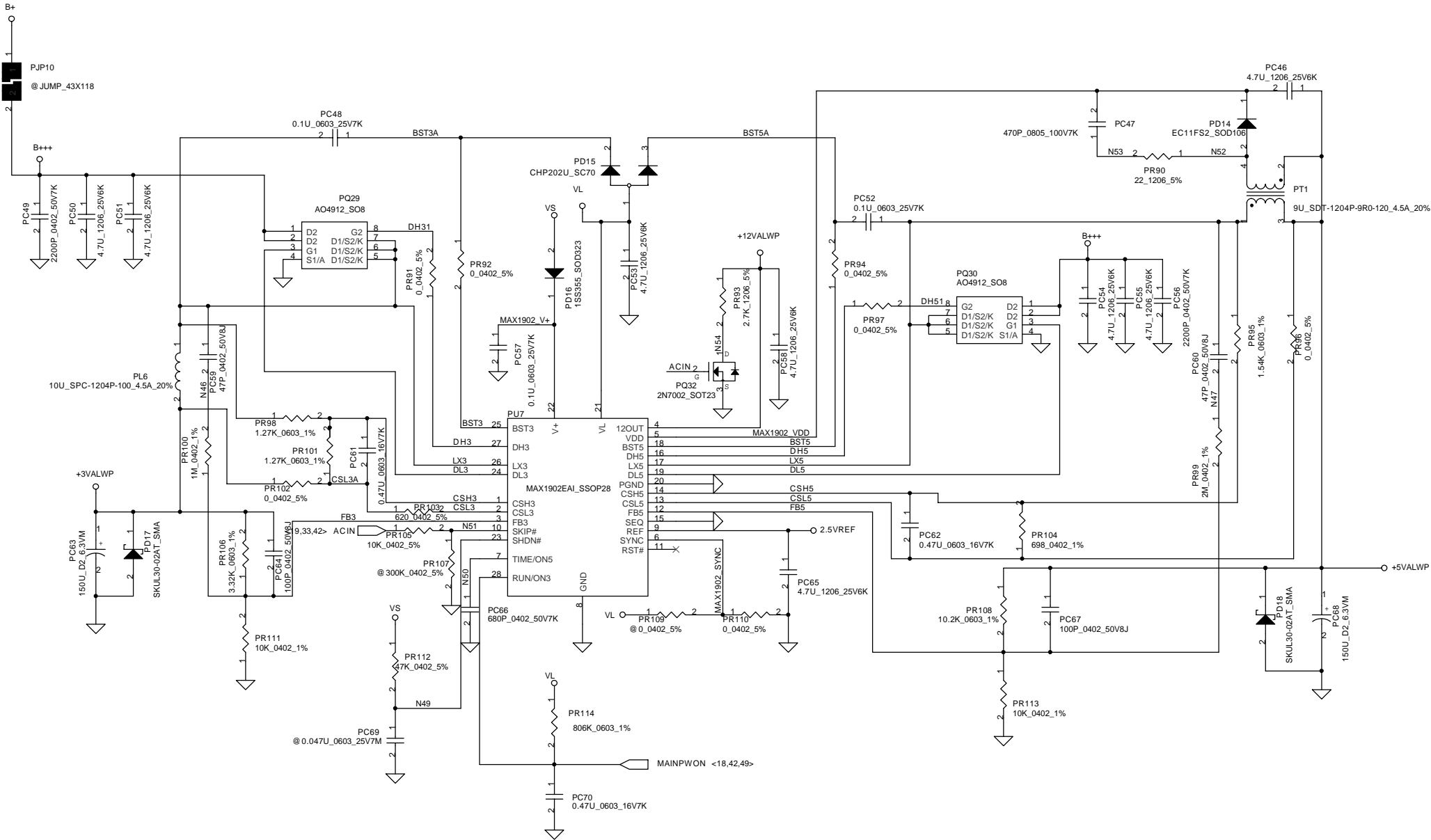
Main Battery Detector
 High: 10.68V
 Low : 9.52V

A/B#USE
 High: Main Battery (A)
 Low : Second Battery (B)

THIS SHEET OF ENGINEERING DRAWING IS THE PROPRIETARY PROPERTY OF COMPAL ELECTRONICS, INC. AND CONTAINS CONFIDENTIAL AND TRADE SECRET INFORMATION. THIS SHEET MAY NOT BE TRANSFERRED FROM THE CUSTODY OF THE COMPETENT DIVISION OF R&D DEPARTMENT EXCEPT AS AUTHORIZED BY COMPAL ELECTRONICS, INC. NEITHER THIS SHEET NOR THE INFORMATION IT CONTAINS MAY BE USED BY OR DISCLOSED TO ANY THIRD PARTY WITHOUT PRIOR WRITTEN CONSENT OF COMPAL ELECTRONICS, INC.

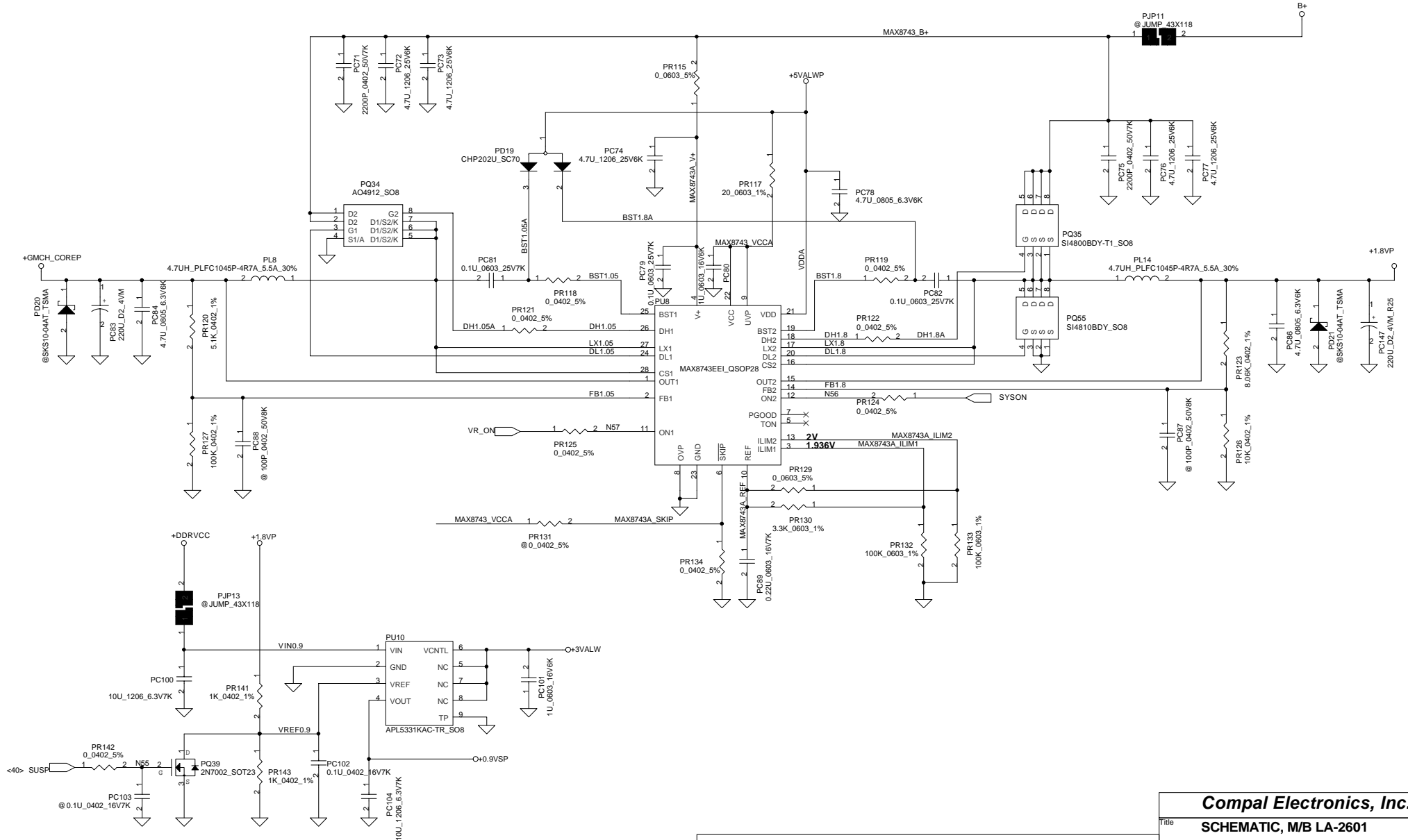
Compal Electronics, Inc.	
SCHEMATIC, M/B LA-2601	
Title	
Size	Document Number
Custor	401336
Date:	星期四, 三月 17, 2005
Sheet	44 of 9
Rev	C

+3VALWP/+5VALWP/+12VALWP



THIS SHEET OF ENGINEERING DRAWING IS THE PROPRIETARY PROPERTY OF COMPAL ELECTRONICS, INC. AND CONTAINS CONFIDENTIAL AND TRADE SECRET INFORMATION. THIS SHEET MAY NOT BE TRANSFERRED FROM THE CUSTODY OF THE COMPETENT DIVISION OF R&D DEPARTMENT EXCEPT AS AUTHORIZED BY COMPAL ELECTRONICS, INC. NEITHER THIS SHEET NOR THE INFORMATION IT CONTAINS MAY BE USED BY OR DISCLOSED TO ANY THIRD PARTY WITHOUT PRIOR WRITTEN CONSENT OF COMPAL ELECTRONICS, INC.

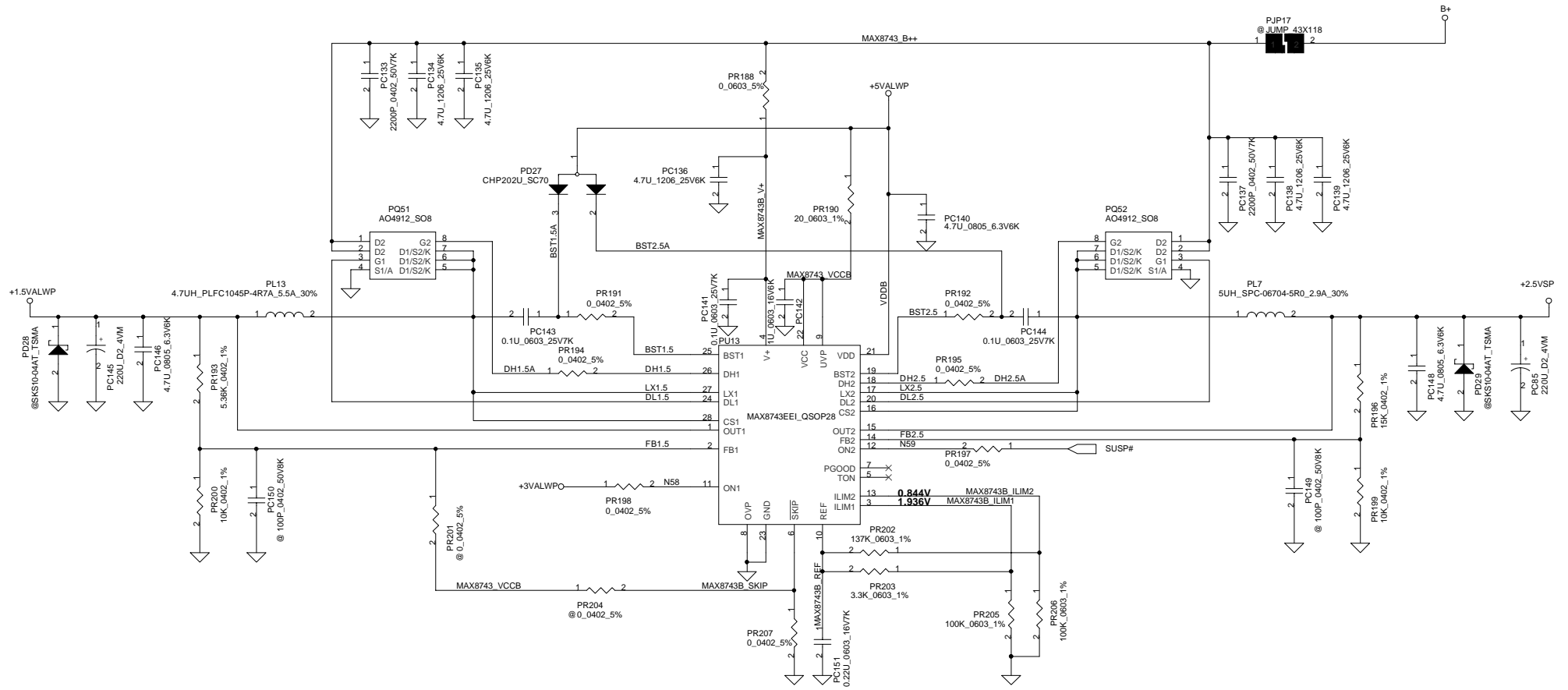
Compal Electronics, Inc.		
SCHEMATIC, M/B LA-2601		
Size	Document Number	R ev
	401336	C
Date: -P 期四, 三月 17, 2005	Sheet	45 of 9



Compal Electronics, Inc.		
Title SCHEMATIC, M/B LA-2601		
Size	Document Number	Rev
	401336	C
Date: 星期四, 三月 17, 2005	Sheet	46 of 9

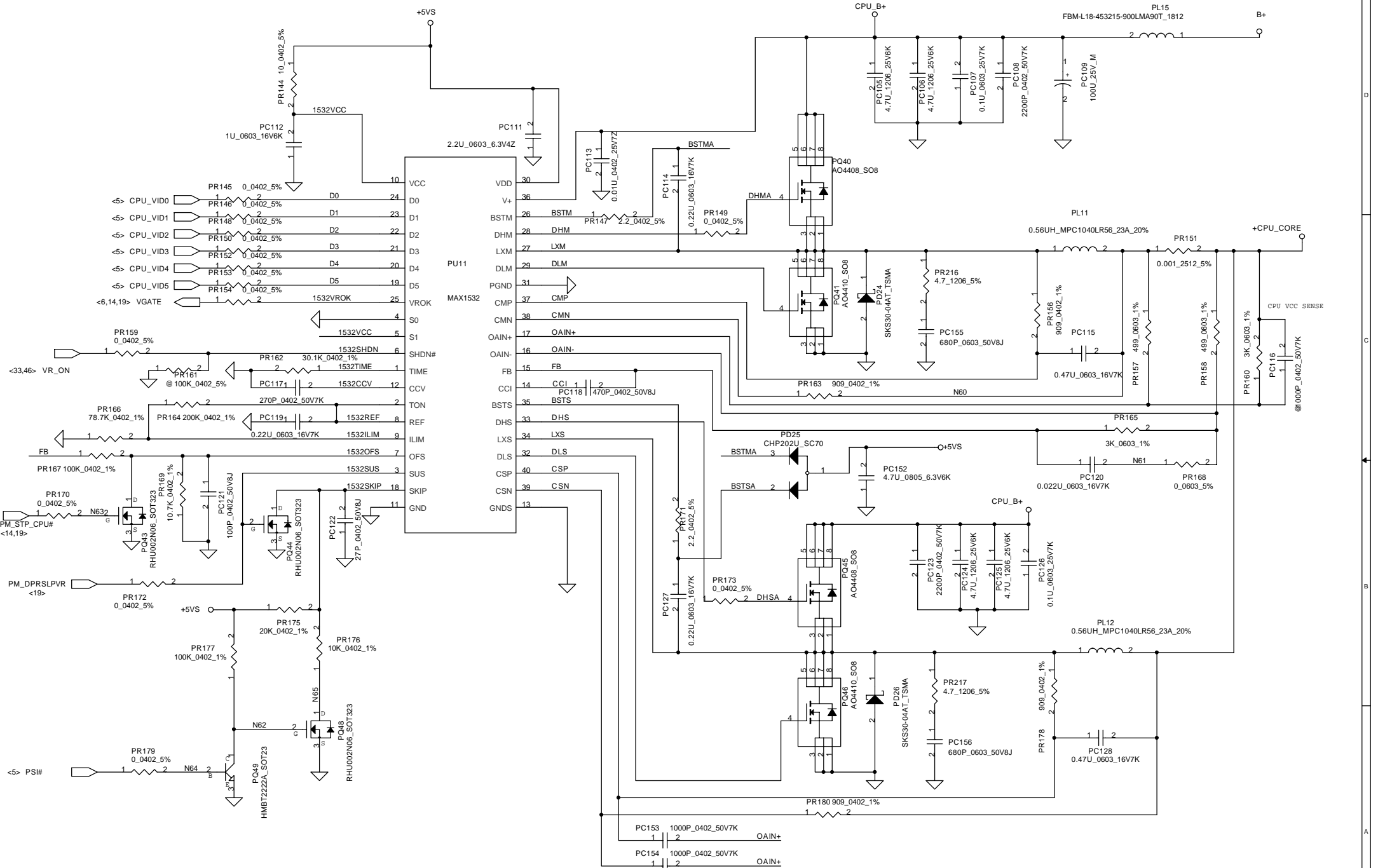
THIS SHEET OF ENGINEERING DRAWING IS THE PROPRIETARY PROPERTY OF COMPAL ELECTRONICS, INC. AND CONTAINS CONFIDENTIAL AND TRADE SECRET INFORMATION. THIS SHEET MAY NOT BE TRANSFERRED FROM THE CUSTODY OF THE COMPETENT DIVISION OF R&D DEPARTMENT EXCEPT AS AUTHORIZED BY COMPAL ELECTRONICS, INC. NEITHER THIS SHEET NOR THE INFORMATION IT CONTAINS MAY BE USED BY OR DISCLOSED TO ANY THIRD PARTY WITHOUT PRIOR WRITTEN CONSENT OF COMPAL ELECTRONICS, INC.

+2.5VSP/+1.5VALWP



Compal Electronics, Inc.		
Title		
SCHEMATIC, M/B LA-2601		
Size	Document Number	Rev
	401336	C
Date:	星期四, 三月 17, 2005	Sheet 47 of 9

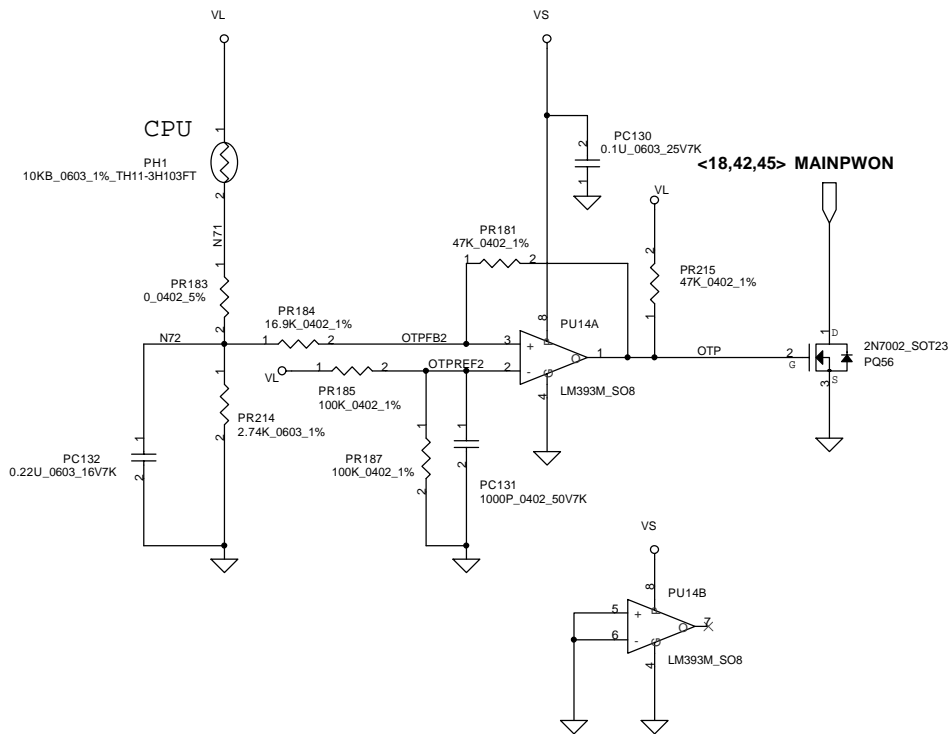
THIS SHEET OF ENGINEERING DRAWING IS THE PROPRIETARY PROPERTY OF COMPAL ELECTRONICS, INC. AND CONTAINS CONFIDENTIAL AND TRADE SECRET INFORMATION. THIS SHEET MAY NOT BE TRANSFERRED FROM THE CUSTODY OF THE COMPETENT DIVISION OF R&D DEPARTMENT EXCEPT AS AUTHORIZED BY COMPAL ELECTRONICS, INC. NEITHER THIS SHEET NOR THE INFORMATION IT CONTAINS MAY BE USED BY OR DISCLOSED TO ANY THIRD PARTY WITHOUT PRIOR WRITTEN CONSENT OF COMPAL ELECTRONICS, INC.



THIS SHEET OF ENGINEERING DRAWING IS THE PROPRIETARY PROPERTY OF COMPAL ELECTRONICS, INC. AND CONTAINS CONFIDENTIAL AND TRADE SECRET INFORMATION. THIS SHEET MAY NOT BE TRANSFERRED FROM THE CUSTODY OF THE COMPETENT DIVISION OF R&D DEPARTMENT EXCEPT AS AUTHORIZED BY COMPAL ELECTRONICS, INC. NEITHER THIS SHEET NOR THE INFORMATION IT CONTAINS MAY BE USED BY OR DISCLOSED TO ANY THIRD PARTY WITHOUT PRIOR WRITTEN CONSENT OF COMPAL ELECTRONICS, INC.

Compal Electronics, Inc.		
Title	SCHEMATIC, M/B LA-2601	
Size	Document Number	Rev
Custom	401336	C
Date:	~P期间, 三月 17, 2005	Sheet 48 of 9

PH1 under CPU botten side :
 CPU thermal protection at 90 +/-3 degree C
 Recovery at 50 +/-3 degree C



THIS SHEET OF ENGINEERING DRAWING IS THE PROPRIETARY PROPERTY OF COMPAL ELECTRONICS, INC. AND CONTAINS CONFIDENTIAL AND TRADE SECRET INFORMATION. THIS SHEET MAY NOT BE TRANSFERRED FROM THE CUSTODY OF THE COMPETENT DIVISION OF R&D DEPARTMENT EXCEPT AS AUTHORIZED BY COMPAL ELECTRONICS, INC. NEITHER THIS SHEET NOR THE INFORMATION IT CONTAINS MAY BE USED BY OR DISCLOSED TO ANY THIRD PARTY WITHOUT PRIOR WRITTEN CONSENT OF COMPAL ELECTRONICS, INC.

Compal Electronics, Inc.		
Title		
SCHEMATIC, M/B LA-2601		
Size	Document Number	Rev
B	401336	C
Date:	-P 期四, 三月 17, 2005	Sheet 49 of 9

Item	Reason for change	PG#	Modify List	Date	B.Ver#
1	Change DC JAcK and second battery connect.	42,44	Change DC JAcK from DC231105200 to DC231000500. Change second battery connect from	2004.10.28	
2	Modify OTP schematic.	45,49	Change PR114 from 47K_0402_5% to 806K_0603_1%; Change PR183 from 0.0402_5% to 1.37K_0402_1%; Change PR184 from 16.9K_0402_1% to 10K_0402_1%; Change PC132 from 0.22u_0603_16V to 1U_0603_16V; Change PC70 from 0.047uF to 0.47uF; Delete PR186, PR182, PU12 and PQ50.	2004.11.30	
3	To increase the pre-charge current.	42	Change PR21 from 169K_0603_1% to 200K_0603_1%; Change PR10 from 47_1206_5% to 33_1206_5%; Change PR9,PR11 and PR13 from 1.5K_1206_5% to 1K_1206_5%.	2004.12.28	
4	Change OTP schematic to EVT design.	49	Change PR183 from 1.37K_0402_1% to 0.0402_5%; Change PR184 from 10K_0402_1% to 16.9K_0402_1%; Change PC132 from 1U_0603_16V to 0.22u_0603_16V; Add PR215 47K_0402_1%; Add PR214 2.74K_0603_1%; Add PU14 LM393 and PQ56 2N7002.	2005.01.05	
5	For EMI request.	48	Add PR216 and PR217, 4.7_1206_5%; Add P155 and PC156, 680P_0603_50V; Add PL15, FBM-L18-453215-900LMA90T.	2005.01.10	
6	To increase 1.5V power plan to 1.57V by H/W request.	47	Delete PR201; Add PR200 10K_0402_1%; Add PR193 5.36K_0402_1%.	2005.01.10	

Compal Electronics, Inc.

Title		
SCHEMATIC, M/B LA-2601		
Size	Document Number	Rev
B	401336	C
Date:	星期四, 三月 17, 2005	Sheet 50 of 9

THIS SHEET OF ENGINEERING DRAWING IS THE PROPRIETARY PROPERTY OF COMPAL ELECTRONICS, INC. AND CONTAINS CONFIDENTIAL AND TRADE SECRET INFORMATION. THIS SHEET MAY NOT BE TRANSFERRED FROM THE CUSTODY OF THE COMPETENT DIVISION OF R&D DEPARTMENT EXCEPT AS AUTHORIZED BY COMPAL ELECTRONICS, INC. NEITHER THIS SHEET NOR THE INFORMATION IT CONTAINS MAY BE USED BY OR DISCLOSED TO ANY THIRD PARTY WITHOUT PRIOR WRITTEN CONSENT OF COMPAL ELECTRONICS, INC.

EAT10 PIR List

***** Rev:0.2 PIR List 2004/08/10 Writer by Jason *****

P05 : Add @ in R63
Del @ in R56

P06 : Del @ in R54
Del JP9

P18: New add R512

P21 : New add R513
New add X3
New add C607

P21 : New add R534, R535

THIS SHEET OF ENGINEERING DRAWING IS THE PROPRIETARY PROPERTY OF COMPAL ELECTRONICS, INC. AND CONTAINS CONFIDENTIAL AND TRADE SECRET INFORMATION. THIS SHEET MAY NOT BE TRANSFERRED FROM THE CUSTODY OF THE COMPETENT DIVISION OF R&D DEPARTMENT EXCEPT AS AUTHORIZED BY COMPAL ELECTRONICS, INC. NEITHER THIS SHEET NOR THE INFORMATION IT CONTAINS MAY BE USED BY OR DISCLOSED TO ANY THIRD PARTY WITHOUT PRIOR WRITTEN CONSENT OF COMPAL ELECTRONICS, INC.

Compal Electronics, Inc.		
Title		
SCHEMATIC, M/B LA-2601		
Size	Document Number	Rev
	401336	C
Date:	~P期间, 三月 17, 2005	Sheet 51 of 51